

EN	Macerator Toilet Operation manual	3
DE	Elektrische Toilette Bedienungsanleitung	13
FR	WC dilacérateur Mode d'emploi	22
ES	Inodoro triturador Manual de funcionamiento	31
NL	Toilet met versnijdingspomp Bedieningshandleiding	40
IT	WC di macerazione Manuale di operativo	48
FI	Silppuripumppu-wc Ohjekirja	56
SV	Macerator-toalett Bruksanvisning	64
DA	Findelingstoilet Betjeningsvejledning	72
NO	Macerator-toalett Brukerhåndbok	80



8100 Series MasterFlush™ Toilets

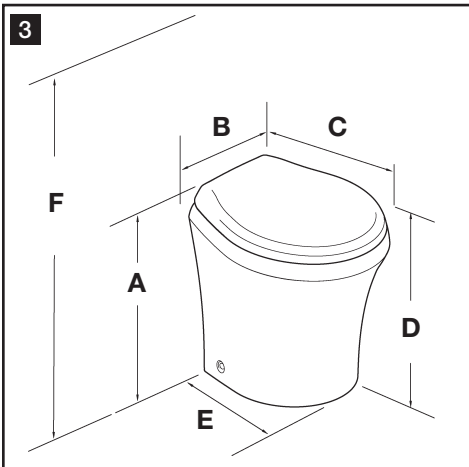
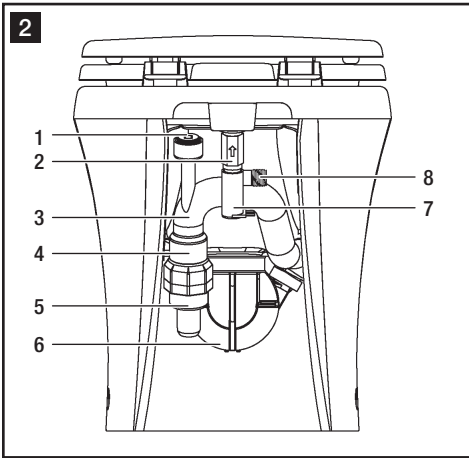
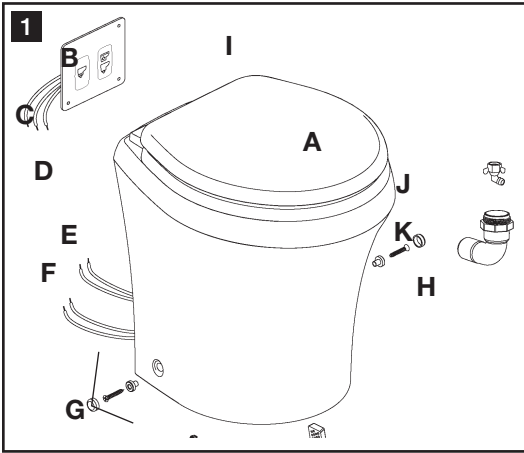


Table of contents

EN

1	Notes on using the manual	3
2	General safety instructions	3 - 4
3	Intended use	4
4	Components	5
5	Specifications	5 - 6
6	Operation	6 - 7
7	Maintenance and winterizing	8 - 9
8	Troubleshooting	10
9	Warranty	11 - 12
10	Customer service	12

1 Notes on using the manual



Caution!

Safety Instruction: Failure to observe this instruction can cause material damage and impair the function of the device.



Note

Supplementary information for operating the device.

fig. **1 A**, page **2** : This refers to an element in an illustration. In this example, item A in figure 1 on page 2.

2 General safety instructions

The manufacturer will not be held liable for claims for damage resulting from the following:

- Faulty assembly or connection
- Damage to the unit from mechanical influences, misuse or abuse
- Alterations to the unit without express written permission from the manufacturer
- Use for purposes other than those described in the operating manual

2.1 Warnings – marine applications

The following statements must be read and understood before installing, servicing and/or operating this product on a boat. Modification of this product may result in property damage.

Dometic recommends that a qualified marine technician or electrician install or service this product. Equipment damage, injury to personnel or death could result from improper installation. DOMETIC ACCEPTS NO RESPONSIBILITY OR LIABILITY FOR DAMAGE TO EQUIPMENT, OR INJURY OR DEATH TO PERSONNEL THAT MAY RESULT FROM IMPROPER INSTALLATION, SERVICE OR OPERATION OF THIS PRODUCT.



Caution! Hazard of Flooding

If toilet is connected to ANY through-the-hull fittings, ALWAYS close seacocks when toilet is not in use (even if boat is unattended for a brief period). All passengers MUST be instructed on how to close valves when the toilet is not in use. Failure to do so can result in flooding which can cause loss of property and life.



**Caution! Hazard of Flooding**

If the toilet uses fresh water for flushing and is connected directly or indirectly to a shore-side municipal water system at ANY time, shoreside water connections MUST be disconnected if the boat is unattended (even if boat is unattended for a brief period). Failure to do so can result in flooding which can cause loss of property and life.

**Caution! Hazard of Flooding**

Before beginning any work on this product, be sure that all electrical power to the unit has been turned off and that seacocks are in the CLOSED or OFF position. Failure to do so can result in flooding which can cause loss of property and life.

**Caution!**

Overfilling the holding tank can create serious damage to the sanitation system, such as rupturing the holding tank and releasing tank contents into the bilge. To prevent this possibility, Dometic recommends using the “full” tank shut-down relay in the toilet’s electronic control module. The “full” signal from the holding tank can be generated by an optional Dometic DTM01C tank monitor or DTM04 four-level tank monitor system.

3 Intended use

The Dometic 8100 series MasterFlush toilet provides an electric-flush toilet that macerates waste and pumps it to a holding tank or other effluent storage/disposal system. Operated by a wall-mounted flush switch, the toilet allows the user to add water to the bowl (before or after flushing) and to flush the toilet by pushing a button.

3.1 Benefits

Convenient electronic flush. Add water or flush with the touch of a button.

Choice of two water consumption settings. “Normal” flush adds water to bowl while button is pushed; “Dry Bowl” does not use water during a flush – it only operates the macerator pump.

Versatile installation. Powerful macerator pump allows toilet to be located up to 98 ft. (30 m) away or 9.8 ft. (3 m) below holding tank or other discharge line destination.

Automatic “full tank” shut-down (Optional installation - tank level monitor and shut-down relay required. Available separately). When connected to a holding tank level indication system, the 8100 series toilet system will shut off electrical power to the toilet when the holding tank is full. This safety feature prevents overfilling the holding tank, which may cause damage to the boat.

4 Components

(fig. **1**, page 2)

Ref.	Description
A	Macerator toilet
B	Dometic flush switch
C	Electrical input wire
D	Output wires (2) to toilet
E	Input wires (2) from flush switch
F	Output wires (2) to ground connection
G	Floor mounting hardware kit
H	Floor mounting template
I	Flush switch wall template
J	Water valve adapter
K	Discharge elbow fitting

(fig. **2**, page 2)

Ref.	Description
1	Anti-siphon valve
2	Check valve
3	Discharge loop outlet
4	Discharge adapter fitting
5	Discharge hose fitting
6	Macerator pump
7	Water valve
8	Water valve fitting - 0.5 in. NPT
Refer to complete parts list (packed separately) for additional information.	

5 Specifications

5.1 Materials

Toilet: vitreous ceramic

Macerator pump body: glass-filled polypropylene

Dometic flush switch panel: powder-coated aluminum

5.2 Minimum System Requirements

Electrical	Circuit breaker	20 amps/12 V DC; 15 amps/24 V DC
	Wiring	12 ga. (up to 20 ft./6.1 m from breaker)
Water Supply	Fitting	0.5 in. NPT
	Flow rate	2.0 gpm/7.6 lpm minimum
Discharge	Inside diameter	1.5 in./38 mm or 1 in./25 mm
	Horizontal run	98 ft./30 m maximum
	Vertical run	9.8 ft./3 m maximum

Specifications are subject to change without notice.

5.3 Dimensions (fig. 3, page 2)

Standard-height models

Ref.	Dimension
A	18.375 in. / 467 mm
B	14.75 in. / 375 mm
C	18.375 in. / 467 mm
D	17 in. / 432 mm - seat height
E	14.875 in. / 378 mm
F	32 in. / 813 mm - seat lid up

Low-profile models

Ref.	Dimension
A	15 in. / 381 mm
B	14.75 in. / 375 mm
C	18.375 in. / 467 mm
D	13.75 in. / 349 mm - seat height
E	14 in. / 356 mm
F	28 in. / 711 mm - seat lid up

6 Operation

6.1 Toilet system start-up

1. Turn on water supply to toilet.
2. Press “Flush” switch (2) and hold for at least five seconds.
3. Toss several sheets of toilet paper into bowl and repeat cycle. The bowl should completely clear.

6.2 Normal toilet operation

ADDING WATER TO TOILET BOWL

Press “Add Water” switch (1) and hold until desired water level is achieved. (Do not press “Add Water” switch too long or overflow may occur.) More water is usually added only when flushing solids.

FLUSHING TOILET

Press “Flush” switch (2) down and hold for a few seconds after waste drains from toilet bowl (about five seconds). This switch activates a powerful macerator pump that siphons water and waste from the bowl, macerates, and propels the effluent through the discharge line/holding tank. To use less water for liquid-only flushes, press “Flush” switch for shorter period of time.

“DRY BOWL” OPERATION

During periods of rough travel, water in a toilet bowl can splash out and into the bathroom area. To avoid this situation, press “Dry Bowl” switch (3) to drain water completely from toilet bowl. Water is not added to bowl during or after pressing the “Dry Bowl” switch.



Caution – Do Not Flush Waste with “Dry Bowl” Switch!

To maintain proper cleanliness and operation of the toilet and macerator pump, water should be used with every flush.

**Caution – Do Not Flush Foreign Objects!**

Flush only water, bodily wastes and rapid-dissolving toilet tissue. Do not flush wet wipes, sanitary napkins, condoms, diapers, paper cups, cotton swabs, food, hair or liquids such as oils or solvents as clogging or damage to the toilet or toilet system may occur.

**Note**

Make sure all guests understand toilet operation before use.

6.3 Toilet operation when connected to “full tank” shut-down relay and tank monitor system

When a Dometic 8100 series macerator toilet system uses a “full tank” shut-down relay, electrical power to the toilet is shut off when the holding tank level reaches “full”. To restore electrical power to the toilet for flushing, holding tank contents must be emptied or discharged until the “full” tank indicator is not activated.

7 Maintenance and winterizing

7.1 Cleaning the toilet

To maintain the toilet's original, lustrous appearance, use Dometic Toilet Bowl Cleaner or other non-abrasive bathroom and toilet bowl cleaners. Please follow label directions.

**Caution**

To avoid damaging internal seals, do not clean toilet with abrasive cleaners, caustic chemicals, or lubricants and cleaners that contain alcohols or petroleum distillates.

7.2 Routine maintenance

MONTHLY

1. Inspect toilet, plumbing, and plumbing connections, wires, and wire connections.
2. Open and close all plumbing valves, including seacocks.
3. Check in-line water filters and vented loops for blockage.

YEARLY

Check water valve filter. Also check water valve filter if water flow into toilet becomes insufficient.

7.3 During extended periods of non-use

The macerator toilet and sanitation hoses should be protected if toilet will not be needed for an extended period of time (more than two weeks, especially in hot weather).

1. Flush toilet in "Normal" mode and add 4 oz. (118 ml) of liquid biodegradable laundry detergent (should NOT contain bleach or environmentally harmful substances). Note: If using sea water for flushing, shut off power to sea water pump and add fresh water by pouring directly into the bowl during the flush cycle.
2. Flush toilet at least five times.
3. Turn off water supply to toilet.
4. Flush the toilet without water. Repeat three times. (This procedure will minimize any remaining water in the macerator pump.)
5. Turn off power to the toilet.

If system will be subjected to freezing temperatures, please follow above procedure, and then winterize system as described below.

7.4 Winterizing

At the end of each season, the Dometic macerator toilet should be winterized for storage by using potable water-safe antifreeze (if boat or vehicle will be exposed to freezing temperatures).

**Note**

Use nontoxic antifreeze designated for potable water systems. (See boat or vehicle owner's manual.)

**Caution**

Never use automotive-type antifreeze in freshwater systems.

PRESSURIZED FRESH WATER SYSTEM

1. Drain potable water tank and empty holding tank.
2. Add freshwater antifreeze to potable water tank.
3. Flush potable water antifreeze and water mixture through toilet(s) and into entire system, including the waste holding tank, diverter valve connections, discharge pumps, etc. Turn off power to toilet.

Each installation is different, so amounts may vary. User discretion is required to assure adequate protection.

RAW WATER SYSTEM

Parts required:

- Hose that fits raw water pump, about 3 ft. (1 m) long
- one container

1. Close intake and discharge seacocks. See Hazard of Flooding risks in this manual.
2. Turn off power to toilet.
3. Disconnect and drain intake hose and in-line filters.
4. Connect hose to raw water pump intake.
5. Place hose connected to pump intake into bucket with antifreeze in it.
6. Turn on power to toilet and flush until antifreeze is removed from toilet.
7. Disconnect power to toilet and reconnect all intake and drain hoses.

8 Troubleshooting

Problem	Possible Cause	Service Instruction
<p>1. Flush function works, but water in bowl empties slowly or not at all.</p>	<p>a. Discharge piping is pinched or kinked. b. Discharge piping is too high. (Remember, all upward vertical loops and should not exceed a total of 9.8 feet (3 m) in height.) c. The macerator pump or discharge piping is blocked.</p>	<p>a. Check discharge piping. b. Reroute discharge piping. c. Close seacocks and clear blockage.</p>
<p>2. Macerator pump makes unusually loud noise or continually trips breaker.</p>	<p>a. Foreign material in pump chamber.</p>	<p>a. Close seacocks and clear foreign material.</p>
<p>3. Flush cycle is not activated after pushing on flush switch.</p>	<p>a. Holding tank is full and signal from tank has shut down electrical power to toilet. b. Electrical power to toilet is shut off or disrupted. c. Flush switch is malfunctioning.</p>	<p>a. Empty holding tank. b. Check wiring and circuit breakers (or fuses). c. Replace flush switch.</p>
<p>4. Insufficient or no water enters the bowl.</p>	<p>a. Water supply line is pinched or kinked. b. Screen in water valve is blocked. c. Intake water filters are blocked (in raw water system). d. Water valve is malfunctioning.</p>	<p>a. Check water supply line. b. Clear blockage at water valve. c. Clear water filters. d. Replace water valve.</p>

9 Warranty and product liability

North America and Rest of the World:

Manufacturer's One-Year Limited Warranty

Dometic Corporation, Sanitation Division warrants to the original purchaser only that this product, if used for personal, family or household purposes, is free from defects in material and workmanship for a period of one year from the date of purchase.

If this Dometic product is placed in commercial or business use, it will be warranted to the original purchaser only to be free of defects in material and workmanship for a period of ninety (90) days from the date of purchase.

Dometic reserves the right to replace or repair any part of this product that proves, upon inspection by Dometic, to be defective in material or workmanship. All labor and transportation costs or charges incidental to warranty service are to be borne by the purchaser-user.

EXCLUSIONS

IN NO EVENT SHALL DOMETIC BE LIABLE FOR INCIDENTAL OR CONSEQUENTIAL DAMAGES, FOR DAMAGES RESULTING FROM IMPROPER INSTALLATION, OR FOR DAMAGES CAUSED BY NEGLIGENCE, ABUSE, ALTERATION OR USE OF UNAUTHORIZED COMPONENTS. ALL IMPLIED WARRANTIES, INCLUDING ANY IMPLIED WARRANTY OF MERCHANTABILITY OR FITNESS FOR ANY PARTICULAR PURPOSE, ARE LIMITED TO A PERIOD OF ONE YEAR FROM DATE OF PURCHASE.

IMPLIED WARRANTIES

No person is authorized to change, add to, or create any warranty or obligation other than that set forth herein. Implied warranties, including those of merchantability and fitness for a particular purpose, are limited to one (1) year from the date of purchase for products used for personal, family or household purposes, and ninety (90) days from the date of purchase for products placed in commercial or business use.

OTHER RIGHTS

Some states do not allow limitations on the duration of an implied warranty and some states do not allow exclusions or limitations regarding incidental or consequential damages; so, the above limitations may not apply to you. This warranty gives you specific legal rights, and you may have other rights which vary from state to state.

To obtain warranty service, first contact your local dealer from whom you purchased this product or go to dometic.com to locate a dealer near you.

Europe:**Warranty and Customer Service**

Warranty arrangements are in accordance with EC Directive 44/1999/CE and the normal conditions applicable for the country concerned. For warranty or other service, please contact our Dometic Service department listed elsewhere in this manual. Any damage due to improper use is not covered by the warranty.

The warranty does not cover any modifications to the product or the use of non-original Dometic parts; the warranty does not apply if the installation and operating instructions are not adhered to and no liability shall be entertained.

Product Liability

Product liability of Dometic Group and its subsidiary companies does not include damages which may arise from: faulty operation; improper alterations or intervention in the equipment; adverse effects from the environment which may impact the equipment itself or the direct vicinity of the equipment or persons in the area.

To obtain warranty service, first contact your local dealer from whom you purchased this product or go to dometic.com to locate a dealer near you.

10 Customer service

There is a strong, worldwide network to assist in servicing and maintaining your sanitation system. For the Authorized Service Center near you, please call from 8:00 a.m. to 5:00 p.m. (ET) Monday through Friday.

You may also contact or have your local dealer contact the Parts Distributor nearest you for quick response to your replacement parts needs. They carry a complete inventory for the Dometic product line.

Telephone:	1 800-321-9886 330-439-5550	U.S.A. and Canada International
Fax:	330-496-3097 330-439-5567	U.S.A. and Canada International
Web site:	Dometic.com	

Inhalt

DE

1	Hinweise zur Benutzung der Einbauanleitung	13
2	Grundlegende Sicherheitshinweise	13 - 14
3	Vorgesehene Verwendung	14
4	Komponenten	15
5	Spezifikationen	15 - 16
6	Bedienung	16 - 17
7	Wartung und Winterfestmachen	18 - 19
8	Fehlerbehebung	20
9	Garantie und Produkthaftung	21
10	Kundendienst	21

1 Hinweise zur Benutzung der Einbauanleitung



Achtung!

Sicherheitshinweis: Nichtbeachtung kann zu Materialschäden führen und die Funktion des Gerätes beeinträchtigen.



Hinweis

Ergänzende Informationen zur Bedienung des Gerätes.

Abb. 1 A, Seite 2 : Bezeichnet ein Element in einer Illustration. In diesem Beispiel Element A in Abbildung 1 auf Seite 2.

2 Grundlegende Sicherheitshinweise

Der Hersteller übernimmt keine Haftung für Schäden aufgrund von

- Montage- oder Anschlussfehlern
- Schäden am Gerät durch mechanische Einwirkung
- Modifikationen am Gerät ohne ausdrückliche Genehmigung des Herstellers
- Verwendung für andere als die in der Anleitung beschriebenen Zwecke

2.1 Warnungen – Einsatz auf Booten

Vor der Installation, Wartung und dem Einsatz auf einem Boot müssen die folgenden Anweisungen gelesen und verstanden werden. Werden Änderungen an diesem Produkt vorgenommen, kann dies zu Sachschäden führen.

Dometic empfiehlt, die Installation und Wartung dieses Produkts von einem qualifizierten Schiffstechniker oder Elektriker vornehmen zu lassen. Eine unsachgemäße Installation kann zu Sachschäden, Verletzungen oder zum Tod führen. **DOMETIC ÜBERNIMMT KEINERLEI VERANTWORTUNG ODER HAFTUNG FÜR SACHSCHÄDEN SOWIE VERLETZUNGEN ODER DEN TOD VON PERSONEN INFOLGE EINER UNSACHGEMÄSSEN INSTALLATION, WARTUNG ODER NUTZUNG DIESES PRODUKTS.**



Achtung! Überflutungsgefahr

Wenn das WC über IRGENDWELCHE Borddurchlässe angeschlossen ist, müssen die Seeventile bei nicht benutztem WC **IMMER** geschlossen werden (auch dann, wenn das Boot kurzzeitig unbeaufsichtigt ist). Alle Passagiere **MÜSSEN** darüber informiert werden, wie die Ventile bei nicht benutztem WC geschlossen werden. Andernfalls kann es zu Überflutungen kommen, wobei die Gefahr von Unfällen mit Todesfolge oder Sachschäden besteht.



**Achtung! Überflutungsgefahr**

Wenn das WC zum Spülen Frischwasser verwendet und JEMALS mit einer am Ufer befindlichen öffentlichen Wasserleitung verbunden wird, MUSS die Verbindung zu dieser Leitung getrennt werden, wenn das Boot unbeaufsichtigt ist (auch wenn dies nur kurzzeitig der Fall ist). Andernfalls kann es zu Überflutungen kommen, wobei die Gefahr von Unfällen mit Todesfolge oder Sachschäden besteht.

**Achtung! Überflutungsgefahr**

Stellen Sie vor den Arbeiten an diesem Produkt sicher, dass die Stromversorgung des WCs abgeschaltet ist und die Seeventile in der Stellung GESCHLOSSEN bzw. AUS stehen. Andernfalls kann es zu Überflutungen kommen, wobei die Gefahr von Unfällen mit Todesfolge oder Sachschäden besteht.

**Achtung!**

Das Überfüllen des Schmutzwassertanks kann gravierende Schäden an der Sanitäranlage nach sich ziehen, wie z. B. einen Bruch des Tanks, wodurch dessen Inhalt in die Bilge fließen könnte. Um dies zu vermeiden, empfiehlt Dometic, das Abschaltrelais für „Tank voll“ im elektronischen Steuermodul des WCs zu nutzen. Das „Voll“-Signal vom Schmutzwassertank kann von einer als Zubehör erhältlichen Dometic DTM01C Tanküberwachung oder einer vierstufigen Tanküberwachung DTM04 erzeugt werden.

3 Vorgesehene Verwendung

Beim Dometic MasterFlush-WC der Serie 8100 handelt es sich um ein WC mit elektrischer Spülung, die feste Bestandteile zerkleinert und in einen Abwassertank oder eine andere Abwasserspeicher- bzw. -entsorgungsanlage pumpt. Das WC wird über eine an der Wand angebrachte Spültaste betrieben, und der Benutzer kann (vor oder nach dem Entleeren) Wasser in das Becken füllen und das WC per Tastendruck spülen.

3.1 Vorteile

Bequemes Spülen mittels elektronischer Steuerung. Wasser zugeben und Spülen per Tastendruck.

Zwei mögliche Einstellungen für den Wasserverbrauch. Normal: Beim Spülen wird per Tastendruck Wasser in das Becken gegeben. Entleeren ohne Spülung: Es wird kein Wasser zugegeben, sondern nur die Zerhackerpumpe eingeschaltet.

Flexible Installation. Dank der leistungsfähigen Zerhackerpumpe kann sich das WC bis zu 30 m weit entfernt oder 3 m unterhalb des Abwassertanks oder der Ablassleitung befinden.

Automatische Abschaltung bei vollem Abwassertank (Zusatzausrüstung – Füllstandsüberwachung und Abschaltrelais erforderlich; diese sind gesondert erhältlich). Wenn das WC-System der Serie 8100 mit einer Füllstandsmessung für den Abwassertank verbunden ist, schaltet es bei vollem Tank die Stromversorgung des WCs ab. Diese Sicherheitsfunktion verhindert das Überfüllen des Abwassertanks, wodurch das Boot Schaden nehmen könnte.

4 Komponenten

(Abb. **1**, Seite 2)

Bezeichnung	Beschreibung
A	Elektrische Toilette
B	Dometic-Spültaste
C	Elektrische Eingangsleitung
D	Ausgangsleitungen (2) zum WC
E	Eingangsleitungen (2) von der Spültaste
F	Ausgangsleitungen (2) zum Masseanschluss
G	Montagesatz für die Fußbodenbefestigung
H	Schablone für die Fußbodenbefestigung
I	Schablone für die Wandbefestigung der Spültaste
J	Adapter für das Wasserventil
K	Abflusskniestück

(Abb. **2**, Seite 2)

Bezeichnung	Beschreibung
1	Anti-Siphon-Ventil
2	Rücklaufventil
3	Auslass des Abflussbogens
4	Anschluss des Abflussadapters
5	Anschluss des Abflussschlauchs
6	Zerhackerpumpe
7	Wasserventil
8	Wasserleitung – 0,5 Zoll NPT-Anschluss

Weitere Informationen finden Sie in der vollständigen Stückliste (gesondert verpackt).

5 Spezifikationen

5.1 Materialien

WC: Glaskeramik

Gehäuse der Zerhackerpumpe :
glasfaserverstärktes Polypropylen

Dometic-Bedientafel: pulverbeschichtetes
Aluminium

5.2 Mindest-Systemanforderungen

Elektrisch	Schutzschalter	20 A / 12 V GS; 15 A / 24 V GS
	Verdrahtung	Gr. 12 (bis zu 6,1 m / 20 Fuß vom Schutzschalter)
Wasserver-sorgung	Anschluss	Wasserschlauch 13 mm Innendurchm
	Durchflussrate	mind. 7,6 l/min (2,0 Gal./min)
Ablasslei-tung	Innendurchmesser	Mind. 38 mm (1,5 Zoll) oder 25 mm (1 Zoll)
	Horizontalverlauf	Max. 30 m / 98 Fuß
	Vertikalverlauf	Max. 3 m / 9,8 Fuß

Änderungen der technischen Daten vorbehalten.

5.3 Abmessungen (Abb. 3, Seite 2)

Ausführungen mit Standardhöhe

Ref.	Abmessungen
A	467 mm / 18,375 Zoll
B	375 mm / 14,75 Zoll
C	467 mm / 18,375 Zoll
D	432 mm / 17 Zoll – Sitzhöhe
E	378 mm / 14,875 Zoll
F	813 mm / 32 Zoll – bei geöffnetem Deckel

Niedrige Ausführungen

Ref.	Abmessungen
A	381 mm / 15 Zoll
B	375 mm / 14,75 Zoll
C	467 mm / 18,375 Zoll
D	349 mm / 13,75 Zoll – Sitzhöhe
E	356 mm / 14 Zoll
F	711 mm / 28 Zoll – bei geöffnetem Deckel

6 Bedienung

6.1 Inbetriebnahme des WCs

1. Drehen Sie die Wasserversorgung des WCs auf.
2. Drücken Sie die Spültaste (2) und halten Sie sie mindestens fünf Sekunden lang gedrückt.
3. Werfen Sie einige Blätter Toilettenpapier in das Becken und wiederholen Sie den Zyklus. Das Becken sollte vollständig geleert werden.

6.2 Normalbetrieb

WASSER IN DAS TOILETTEBECKEN FÜLLEN

Drücken Sie die Taste zum Einfüllen von Wasser (1) so lange, bis der gewünschte Wasserstand erreicht ist. (Halten Sie die Taste nicht zu lange gedrückt; ansonsten könnte das Becken überlaufen.) Beim Spülen fester Fäkalien wird gewöhnlich mehr Wasser eingefüllt.

SPÜLEN DES WCs

Drücken Sie die Spültaste (2) und halten Sie sie noch einige Sekunden lang gedrückt, nachdem das Becken leergespült ist (ca. fünf Sekunden). Über diese Taste wird eine leistungsfähige Zerhackerpumpe eingeschaltet, die Wasser und Fäkalien aus dem Becken absaugt, zerkleinert und die Flüssigkeit über die Abflussleitung in den Abwassertank befördert. Um im Fall flüssiger Fäkalien weniger Wasser zu verbrauchen, halten Sie die Spültaste nur kurzzeitig gedrückt.

ENTLEEREN OHNE SPÜLUNG

Bei schwerem Seegang kann das im Toilettenbecken befindliche Wasser herausspritzen und sich auf dem Boden ansammeln. Um dies zu vermeiden, drücken Sie die Taste zum Entleeren ohne Spülung (3), sodass das Wasser völlig aus dem Becken abläuft. Vor oder nach dem Drücken dieser Taste wird kein Wasser in das Becken gefüllt.



**Achtung – Beseitigen Sie mit der Entleerungstaste ohne Spülung keine Fäkalien!**

Um die Sauberkeit und den ordnungsgemäßen Betrieb des WCs und der Zerkleinerpumpe aufrechtzuerhalten, sollte bei jedem Entleerungsvorgang mit Wasser gespült werden.

**Achtung – Spülen Sie keine Fremdkörper herunter!**

Spülen Sie nur Wasser, Fäkalien und sich leicht auflösendes Toilettenpapier. Spülen Sie keine Wischtücher, Damenbinden, Kondome, Windeln, Pappbecher, Wattestäbchen, Lebensmittel, Haare oder Flüssigkeiten wie Öl oder Lösungsmittel herunter. Dadurch könnte das WC oder die Anlage beschädigt werden.

**Hinweis**

Sorgen Sie dafür, dass alle Gäste vor dem Benutzen über den Umgang mit dem WC Bescheid wissen.

6.3 Betrieb des WCs beim Einsatz der Tankfüllstandsüberwachung mit Abschaltrelais

Wenn das Dometic Elektronische toilettensystem der Serie 8100 mit einer Tankfüllstandsüberwachung mit Abschaltrelais ausgerüstet ist, wird das WC bei vollem Abwassertank abgeschaltet. Um die Stromversorgung des WCs zum Spülen wiederherzustellen, muss der Abwassertank geleert werden, bis die Anzeige „Tank voll“ erlischt.

7 Wartung und Winterfestmachen

7.1 Reinigen des WCs

Um die ursprüngliche glänzende Oberfläche des WCs zu erhalten, verwenden Sie Dometic-WC-Reiniger oder ein ähnliches Reinigungsmittel für Bäder und WCs. Bitte befolgen Sie die Anweisungen auf dem Etikett.



Achtung

Um eine Beschädigung der Dichtungen zu vermeiden, darf das WC nicht mit Scheuermitteln, ätzenden Chemikalien oder alkohol- und petroleumhaltigen Flüssigkeiten und Reinigungsmitteln gereinigt werden.

7.2 Regelmäßige Wartung

MONATLICH

1. Überprüfen Sie das WC, die Leitungen und Anschlüsse sowie die Kabel und elektrischen Anschlüsse.
2. Öffnen und schließen Sie alle Ventile, einschließlich der Seeventile.
3. Überprüfen Sie die Inline-Wasserfilter und die Entlüftungsbögen auf freien Durchlass.

JÄHRLICH

Überprüfen Sie den Filter des Wasserventils. Überprüfen Sie den Filter des Wasserventils auch bei unzureichendem Wasserzufluss in das WC.

7.3 Wenn das WC längere Zeit nicht genutzt wird

Bei längerer Nichtbenutzung des WCs (mehr als zwei Wochen, besonders bei warmem Wetter) sind die angeschlossenen Schläuche des WCs zu schützen.

1. Spülen Sie das WC im normalen Modus und geben Sie 118 ml (4 Unzen) eines flüssigen, biologisch abbaubaren Waschmittels (OHNE Bleichmittel oder umweltschädigende Stoffe) hinzu. Hinweis: Wenn Seewasser zum Spülen verwendet wird, schalten Sie die Seewasserpumpe ab, und gießen sie während des Spülens Frischwasser direkt in das Becken.
2. Spülen Sie das WC mindestens fünf Mal.
3. Drehen Sie die Wasserversorgung zum WC zu.
4. Spülen Sie das WC ohne Wasser. Wiederholen Sie dies drei Mal. (Dies gewährleistet, dass möglichst wenig Wasser in der Zerhackerpumpe verbleibt.)
5. Schalten Sie die Stromversorgung des WCs ab.

Wenn Temperaturen unter dem Gefrierpunkt zu erwarten sind, führen Sie zunächst die o. g. Schritte aus und machen das System dann winterfest, wie im Folgenden beschrieben.

7.4 Winterfestmachen

Zum Abschluss jeder Saison ist das Elektrische Toilette zur Aufbewahrung winterfest zu machen, indem für Trinkwasser geeignetes Frostschutzmittel verwendet wird (wenn das Boot oder Fahrzeug Minusgraden ausgesetzt wird).



Hinweis

Verwenden Sie ein ungiftiges Frostschutzmittel, das für Trinkwassersysteme geeignet ist. (Siehe Bedienungsanleitung für das Boot bzw. Fahrzeug.)



Achtung

Verwenden Sie für Frischwassersysteme auf keinen Fall Auto-Frostschutzmittel.

FRISCHWASSER-DRUCKSYSTEM

1. Leeren Sie den Trinkwassertank und den Abwassertank.
2. Geben Sie Frischwasser-Frostschutzmittel in den Trinkwassertank.
3. Durchspülen Sie das WC und die gesamte Anlage, einschließlich des Abwassertanks, der Ventilanschlüsse, der Auslasspumpen usw., mit einer Mischung aus für Trinkwasser geeignetem Frostschutzmittel und Wasser. Schalten Sie die Stromversorgung des WCs ab.

Da alle Anlagen unterschiedlich sind, können die Mengen abweichen. Deshalb muss der Benutzer dafür sorgen, dass der entsprechende Schutz gewährleistet ist.

ROHWASSERSYSTEM

Benötigte Teile:

- an die Rohwasserpumpe passender Schlauch, ca. 1 m lang
- ein Behälter

1. Schließen Sie die Einlass- und Ablass-Seeventile. Siehe „Überflutungsgefahr“ in dieser Anleitung.
2. Schalten Sie die Stromversorgung des WCs ab.
3. Nehmen Sie den Zuflussschlauch und die Leitungsfiler ab und entfernen Sie das Wasser daraus.
4. Schließen Sie den Schlauch an den Einlass der Rohwasserpumpe an.
5. Legen Sie das Ende des mit dem Pumpeneinlass verbundenen Schlauchs in einen mit Frostschutzmittel gefüllten Behälter.
6. Schalten Sie die Stromversorgung des WCs ein und spülen Sie, bis sich kein Frostschutzmittel mehr im WC befindet.
7. Schalten Sie die Stromversorgung des WCs ab und schließen Sie alle Einlass- und Ablassschläuche wieder an.

8 Fehlerbehebung

Problem	Mögliche Ursache	Maßnahme
1. Das WC spült ordnungsgemäß, aber das im Becken befindliche Wasser wird nur langsam oder gar nicht weggespült.	<ul style="list-style-type: none"> a. Ablassschlauch ist gequetscht oder geknickt. b. Ablassleitung liegt zu hoch. (Alle vertikalen Verläufe dürfen eine Höhe von 3 m (9,8 Fuß) nicht überschreiten.) c. Leitungen der Zerhackerpumpe oder Ablassleitungen blockiert. 	<ul style="list-style-type: none"> a. Ablassleitungen überprüfen. b. Ablassleitungen anders verlegen. c. Seeventile schließen und Blockierung beseitigen.
2. Die Zerhackerpumpe macht ungewöhnlich laute Geräusche oder löst ständig den Schutzschalter aus.	<ul style="list-style-type: none"> a. Fremdmaterial in der Pumpenkammer. 	<ul style="list-style-type: none"> a. Seeventile schließen und Fremdmaterial beseitigen.
3. Der Spülzyklus wird durch Drücken der Spültaste nicht aktiviert.	<ul style="list-style-type: none"> a. Abwassertank voll, entsprechendes Signal hat Stromversorgung des WCs abgeschaltet. b. Stromversorgung des WCs ist abgeschaltet oder unterbrochen. c. Störung an der Spültaste. d. Störung an der Leiterplatte im Steuermodul. 	<ul style="list-style-type: none"> a. Abwassertank leeren. b. Verdrahtung und Schutzschalter (bzw. Sicherungen) überprüfen. c. Spültaster austauschen. d. Steuermodul austauschen.
4. Es läuft zu wenig oder gar kein Wasser in das Becken.	<ul style="list-style-type: none"> a. Wasserzuleitung ist gequetscht oder geknickt. b. Sieb im Wasserventil ist verstopft. c. Wassereinflussfilter sind verstopft (im Rohwassersystem). d. Störung am Wasserventil. 	<ul style="list-style-type: none"> a. Wasserversorgungsleitung überprüfen. b. Verstopfung des Wasserventils beseitigen. c. Wasserfilter frei machen. d. Wasserventil austauschen.

9 Garantie und Produkthaftung

Europa:

Garantie und Kundendienst

Die Garantievereinbarungen entsprechen der EG-Direktive 44/1999/EG und die normalen Bedingungen gelten für das betreffende Land. Wenden Sie sich an die Dometic/Waeco Service-Abteilung, deren Adresse Sie an anderer Stelle in diesem Handbuch finden, wenn Sie einen Garantiefall oder eine andere Serviceleistung vereinbaren möchten. Alle Schäden aufgrund falscher oder missbräuchlicher Bedienung werden von der Garantie nicht abgedeckt.

Von der Garantie werden keine Änderungen am Produkt oder die Verwendung von anderen Bauteilen als den Dometic Originalteilen abgedeckt; die Garantie gilt nicht, wenn die Installations- oder Betriebsanweisungen nicht beachtet werden. In solchen Fällen wird jedwede Haftung durch den Hersteller abgelehnt.

Produkthaftung

Die Produkthaftung der Dometic Group und ihrer Niederlassungen umfasst keine Schäden, die durch das Folgende entstehen: fehlerhafter Betrieb; ungeeignete Änderungen oder Eingriffe in die Anlage; negative Umgebungsauswirkungen, die die Anlage selbst beeinträchtigen oder die direkte Umgebung der Anlage oder Personen in diesem Bereich.

Wenn Sie eine Garantieleistung in Anspruch nehmen möchten, wenden Sie sich zuerst an Ihren Fachhändler vor Ort, bei dem Sie das Produkt erworben haben oder informieren Sie sich im Internet unter dometic.com über Händler in Ihrer Nähe.

10 Kundendienst

Zur Unterstützung bei der Wartung und Pflege Ihrer Sanitäranlage steht ein leistungsfähiges weltweites Servicenetz zur Verfügung. Die Anschrift der nächstgelegenen Vertragswerkstatt erhalten Sie unter den folgenden Nummern (Montag bis Freitag zwischen 8:00 und 17:00, Ostküstenzeit).

Sollten Sie Ersatzteile benötigen, können Sie sich auch an Ihren Ersatzteihändler wenden (oder dies von Ihrem Händler erledigen lassen). Die Ersatzteihändler führen sämtliche Teile für die Dometic-Produktlinie.

Telefon:	1 800-321-9886 330-439-5550	U.S.A. und Kanada International
Fax:	330-496-3097 330-439-5567	U.S.A. und Kanada International
Web site:	Dometic.com	

Table des matières

FR

1	Remarques concernant ce mode d'emplo	22
2	Consignes générales de sécurité	22 - 23
3	Usage conforme	23
4	Composants	24
5	Spécifications	24 - 25
6	Fonctionnement.	25 - 26
7	Maintenance et hivernage	26 - 27
8	Recherche des pannes	28
9	Garantie et responsabilité pour le produit	29 - 30
10	Service après-vente	30

1 Remarques concernant ce mode d'emploi



Attention !

Consigne de sécurité : Le non-respect de cette consigne peut entraîner des dégâts matériels et entraver le fonctionnement de l'appareil.



Remarque

Informations supplémentaires relatives à l'utilisation de l'appareil.

fig. **1 A, page 2 :** Ceci désigne un élément d'un schéma. Dans cet exemple, l'item A du schéma 1 sur la page 2.

2 Consignes générales de sécurité

Le fabricant ne saurait être tenu responsable dans les cas suivants:

- Assemblage ou connections incorrects
- Appareil endommagé par des influences mécaniques
- Modification de l'appareil sans l'autorisation écrite expresse du fabricant
- Utilisations autres que celles décrites dans le mode d'emploi

2.1 Avertissements : applications en mer

Veillez bien lire et comprendre les instructions suivantes avant d'installer, de réparer et/ou d'utiliser ce produit à bord d'un bateau. Des dommages matériels peuvent survenir en cas de modification de ce produit.

Dometic recommande de consulter un technicien expert en marine ou un electricien pour installer ou réparer ce produit. Une installation incorrecte risque d'endommager l'équipement, blesser le personnel voir entraîner la mort. DOMETIC DECLINE TOUTE RESPONSABILITE EN CAS D'EQUIPEMENT ENDOMMAGE, DE BLESSURES OU DE DECES DU PERSONNEL QUI RESULTERAIT D'UNE INSTALLATION, D'UNE REPARATION OU D'UNE UTILISATION INCORRECTE DE CE PRODUIT.



Attention ! Risque d'inondation !

Si les WC sont reliés à des raccords de coque, les robinets doivent TOUJOURS être fermés lorsque les WC ne sont pas utilisés (même si le bateau est laissé sans surveillance pour une courte durée). Tous les passagers DOIVENT savoir comment fermer les vannes lorsque les WC ne sont pas utilisés. Sinon, une inondation risque de causer des pertes humaines et matérielles.



**Attention ! Risque d'inondation !**

Si le système de chasse d'eau fonctionne avec de l'eau douce et que les WC peuvent être reliés (en tout temps) directement ou indirectement à des systèmes municipaux d'approvisionnement en eau sur la terre ferme, les connexions à la terre DOIVENT être débranchées si le bateau est laissé sans surveillance (même pour une courte durée). Sinon, une inondation risque de causer des pertes humaines et matérielles.

**Attention ! Risque d'inondation !**

Avant de manipuler ce produit, vérifiez que l'unité est hors tension et que les robinets sont en position FERMÉE ou OFF. Sinon, une inondation risque de causer des pertes humaines et matérielles.

**Attention !**

Un surremplissage du réservoir d'eaux noires peut causer de graves dommages au système sanitaire, par exemple la rupture du réservoir d'eaux noires et le déversement de son contenu dans la cale. Pour pallier cette éventualité, Dometic recommande d'utiliser le relais de coupure pour « Réservoir plein » dans le module de contrôle électronique des WC. Le signal « Réservoir plein » du réservoir d'eaux noires peut être émis par un système de surveillance du réservoir optionnel Dometic DTM01C ou un système de surveillance de réservoir à quatre niveaux DTM04.

3 Usage conforme

Les toilettes Dometic 8100 de la série MasterFlush sont des toilettes à chasse d'eau électrique, qui dilacèrent les matières fécales et les pompent dans un réservoir à eaux noires ou un autre système de stockage des eaux usées. Elles fonctionnent grâce à un commutateur de chasse d'eau monté dans le mur. L'utilisateur peut ainsi ajouter de l'eau dans la cuvette (avant de tirer la chasse d'eau ou après l'avoir tirée) et rincer les toilettes en appuyant sur un bouton.

3.1 Avantages

Chasse d'eau électronique pratique. Une simple pression sur un bouton permet d'ajouter de l'eau ou de tirer la chasse.

Choix entre deux réglages de consommation d'eau. Le rinçage « normal » ajoute de l'eau à la cuvette pendant l'appui sur le bouton ; le mode « Cuvette sèche » n'utilise pas d'eau pendant le rinçage, seule la pompe dilacératrice est activée.

Installation polyvalente. La pompe dilacératrice puissante permet de positionner les toilettes à 30 m de distance du réservoir à eaux noires ou de toute autre destination du circuit d'évacuation ou jusqu'à 3 m en dessous.

Coupure automatique pour « Réservoir plein » (installation en option - présence nécessaire d'un dispositif de surveillance du niveau du réservoir et d'un relais de coupure disponibles séparément). Lorsqu'il est relié à un système d'indication de niveau du réservoir d'eaux noires, le module de contrôle des toilettes 8100 met les toilettes hors tension lorsque le réservoir d'eaux noires est plein. Cette fonction de sécurité permet d'éviter un surremplissage du réservoir d'eaux noires qui risquerait d'endommager le bateau.

4 Composants

(fig. **1**, page 2)

Réf.	Description
A	WC dilacérateurs
B	Commutateur de chasse d'eau Dometic
C	Câble d'alimentation électrique
D	Câbles (2) de sortie vers les toilettes
E	Câbles d'alimentation (2) du commutateur de chasse d'eau
F	Câbles (2) de sortie vers la terre
G	Kit de matériel de montage au sol
H	Gabarit de montage au sol
I	Gabarit mural pour commutateur de chasse d'eau
J	Adaptateur vanne hydraulique
K	Raccord coudé d'évacuation

(fig. **2**, page 2)

Réf.	Description
1	Vanne anti-siphon
2	Vanne de retenue
3	Sortie de la boucle d'évacuation
4	Raccord adaptateur d'évacuation
5	Raccord de tuyau d'évacuation
6	Pompe dilacératrice
7	Vanne hydraulique
8	Ligne d'eau - raccord NPT 0,5 in.

Consultez la liste complète des éléments (emballée séparément) pour plus d'informations.

5 Spécifications

5.1 Matériaux

Toilette : céramique vitreuse

Corps de la pompe dilacératrice : polypropylène chargé fibre de verre

Panneau du commutateur de chasse d'eau Dometic : aluminium peint époxy

5.2 Configuration système minimale requise

Alimentation électrique	Disjoncteur	20 amp/12 V CC ; 15 amp/24 V CC
	Câblage	12 ga. (6,1 m du disjoncteur / jusqu'à 20 ft.)
Alimentation en eau	Raccord	ID ligne d'eau flexible 13 mm
	Débit	7,6 lpm / 2,0 gpm minimum
Evacuation	Diamètre intérieur	38 mm / 1,5 in. ou 25 mm / 1 in. minimum
	Circuit horizontal	30 m / 98 ft. maximum
	Circuit vertical	3 m / 9,8 ft. maximum

Spécifications sous réserve de modifications sans préavis.

5.3 Dimensions (fig. 3, page 2)

Modèles hauteur standard

Ref.	Dimension
A	467 mm / 18,375 in.
B	375 mm / 14,75 in.
C	467 mm / 18,375 in.
D	432 mm / 17 in. - hauteur du siège
E	378 mm / 14,875 in.
F	813 mm / 32 in. - couvercle

Modèles abaissés

Ref.	Dimension
A	381 mm / 15 in.
B	375 mm / 14,75 in.
C	467 mm / 18,375 in.
D	349 mm / 13,75 in. - hauteur du siège
E	356 mm / 14 in.
F	711 mm / 28 in. - couvercle

6 Fonctionnement

6.1 Démarrage du système des toilettes

1. Ouvrez l'alimentation en eau des toilettes.
2. Appuyez sur le commutateur « Chasse d'eau » (2) et maintenez-le enfoncé pendant cinq secondes au moins.
3. Jetez plusieurs feuilles de papier toilette dans la cuvette et répétez l'opération. La cuvette doit être complètement propre.

6.2 Utilisation normale des toilettes

AJOUT D'EAU DANS LA CUVETTE DES TOILETTES

Appuyez sur le commutateur « Ajout d'eau » (1) et maintenez-le enfoncé jusqu'à ce que le niveau d'eau souhaité soit atteint. (N'appuyez pas trop longtemps sur le commutateur « Ajout d'eau », les toilettes pourraient déborder.) En général, on ajoute davantage d'eau pour évacuer les matières solides.

RINÇAGE DES TOILETTES

Appuyez sur le commutateur « Chasse d'eau » (2) et maintenez-le enfoncé quelques secondes une fois que les eaux usées ont disparu de la cuvette des toilettes (environ cinq secondes). Ce commutateur actionne une pompe dilacératrice puissante qui siphonne l'eau et les matières fécales de la cuvette, les dilacère et les propulse dans le réservoir d'eaux noires/la conduite d'évacuation. Afin d'utiliser moins d'eau lors des rinçages de liquide uniquement, appuyez sur le commutateur « Chasse d'eau » pendant moins longtemps.

FONCTIONNEMENT « CUVETTE SÈCHE »

Durant les périodes de déplacement agité, l'eau de la cuvette des toilettes peut déborder et éclabousser la salle d'eau. Pour éviter cette situation, appuyez sur le commutateur « Cuvette sèche » (3) pour évacuer complètement l'eau de la cuvette des toilettes. Il n'y a pas d'ajout d'eau dans la cuvette à partir du moment où vous appuyez sur le commutateur « Cuvette sèche ».



**Attention – N'évacuez pas les eaux usées avec le commutateur « Cuvette sèche » !**

Afin de garantir la propreté et le bon fonctionnement des toilettes et de la pompe dilacératrice, il est conseillé d'utiliser de l'eau à chaque rinçage.

**Attention – Ne tirez pas la chasse d'eau sur des corps étrangers !**

Tirez la chasse sur de l'eau, des matières fécales et du papier toilette à dissolution rapide. Ne tirez pas la chasse sur des lingettes humides, des serviettes hygiéniques, des préservatifs, des couches, des gobelets en papier, des tampons en coton, de la nourriture, des cheveux ou des liquides tels que des huiles ou des solvants car cela risque d'engorger ou d'endommager les WC ou le système sanitaire.

**Remarque**

Vérifiez que tous les utilisateurs ont compris le fonctionnement des WC avant usage.

6.3 Fonctionnement des toilettes en cas de connexion à un relais de coupure « réservoir plein » et à un système de surveillance du réservoir

Lorsqu'un système de toilettes dilacératrices de la série Dometic 8100 utilise un relais de coupure « réservoir plein », l'alimentation électrique des toilettes s'éteint lorsque le niveau du réservoir atteint la marque « plein ». Afin de rétablir l'alimentation électrique des toilettes, le contenu du réservoir doit être vidé ou évacué, jusqu'à ce que le voyant « plein » du réservoir ne soit plus activé.

7 Maintenance et hivernage

7.1 Nettoyage des WC

Pour conserver l'aspect brillant original des WC, utilisez le produit détergent Dometic pour cuvette de WC ou d'autres détergents non abrasifs pour toilettes et salle de bains. Veuillez vous conformer aux instructions sur l'étiquette.

**Attention**

Pour éviter d'endommager des joints internes, ne nettoyez pas les WC avec des détergents abrasifs, des produits chimiques caustiques, des lubrifiants ou des détergents contenant de l'alcool ou des distillats de pétrole.

7.2 Maintenance régulière

MENSUELLE

1. Contrôlez les WC, la tuyauterie et les raccords de tuyauterie, les câbles et les connexions de câbles.
2. Ouvrez et fermez toutes les vannes de tuyauterie, notamment les robinets.
3. Vérifiez que rien n'obstrue les filtres à eau intégrés et les boucles de ventilation

ANNUELLE

Vérifiez le filtre de la vanne hydraulique. Vérifiez-le également si le débit d'eau dans les WC devient insuffisant.

7.3 Lorsque les WC ne sont pas utilisés pendant une longue période

Les WC dilacérateurs et les tuyaux d'assainissement doivent être protégés si les WC ne sont pas utilisés pendant un laps de temps prolongé (plus de deux semaines, particulièrement par temps chaud).

1. Tirez la chasse d'eau des WC en mode « Normal » et ajoutez 4 oz. (118 ml) de produit à lessive liquide biodégradable (il NE DOIT PAS contenir d'eau de javel ou de substances nuisibles à l'environnement). Remarque : si vous rincez avec de l'eau de mer, mettez la pompe à eau de mer hors tension et ajoutez de l'eau douce en la versant directement dans la cuvette pendant le cycle de chasse d'eau.
2. Tirez la chasse d'eau au moins cinq fois.
3. Ouvrez l'alimentation en eau des WC.
4. Tirez la chasse d'eau des WC sans eau. Répétez trois fois cette opération. (Cette procédure permet d'éliminer toute eau qui pourrait rester dans la pompe dilacératrice.)
5. Mettez les WC hors tension.

Si le système risque d'être soumis à des températures de gel, suivez la procédure décrite ci-dessus, puis procédez à l'hivernage du système comme expliqué ci-dessous.

7.4 Hivernage

À la fin de chaque saison, les WC dilacérateurs Dometic doivent être hivernés à l'aide d'antigel pour systèmes d'eau potable (si le bateau ou le véhicule risque d'être exposé à des températures de gel).



Remarque

Utilisez un antigel non toxique conçu pour les systèmes potables (voir le manuel d'utilisateur du bateau ou du véhicule).



Attention

N'utilisez jamais d'antigel pour automobile dans les systèmes à eau douce.

SYSTEME A EAU DOUCE PRESSURISEE

1. Purgez le réservoir d'eau potable et videz le réservoir d'eaux noires.
2. Ajoutez de l'antigel mélangé à de l'eau douce dans le réservoir d'eau potable
3. Rincez le mélange d'antigel pour eau potable et d'eau dans les WC et dans tout le système, notamment le réservoir d'eaux noires, les raccords de la vanne déviatrice, les pompes d'évacuation, etc. Mettez les WC hors tension.

Chaque installation étant différente, les quantités peuvent varier. La discrétion de l'utilisateur est nécessaire pour garantir une protection adéquate.

SYSTEME D'EAU NON TRAITEE

Éléments requis :

- un tuyau convenant pour une pompe à eau non traitée, d'environ 1 m de long
- un conteneur

1. Fermez les robinets d'admission et d'évacuation. Voir les risques d'inondations dans ce manuel.
2. Mettez les toilettes hors tension.
3. Débranchez et purgez le tuyau d'admission et les filtres intégrés.
4. Raccordez le tuyau à l'alimentation de la pompe à eau non traitée.
5. Placez le tuyau connecté à l'alimentation de la pompe dans un seau contenant de l'antigel.
6. Mettez les toilettes sous tension et tirez la chasse d'eau jusqu'à ce qu'il n'y ait plus d'antigel dans les toilettes.
7. Mettez les toilettes hors tension et reconnectez tous les tuyaux d'admission et de purge.

8 Recherche des pannes

Problème	Cause possible	Instructions pour la réparation
1. Les rinçages des toilettes se déroulent correctement mais l'eau dans la cuvette se vide lentement, voire pas du tout.	<ul style="list-style-type: none"> a. Les tuyaux d'évacuation sont pincés ou noués. b. Les tuyaux d'évacuation sont situés trop en hauteur. (N.B. : toutes les boucles verticales dirigées vers le haut ne doivent pas s'élever à plus de 3 m (9,8 ft) de hauteur.) c. La pompe dilacératrice ou les tuyaux d'évacuation sont bloqués. 	<ul style="list-style-type: none"> a. Vérifiez les tuyaux d'évacuation. b. Reconnectez les tuyaux d'évacuation. c. Fermez les robinets et nettoyez ce qui obture
2. La pompe dilacératrice est inhabituellement bruyante ou déclenche constamment le disjoncteur.	<ul style="list-style-type: none"> a. La chambre de la pompe contient des matériaux étrangers. 	<ul style="list-style-type: none"> a. Fermez les robinets et retirez les matériaux étrangers.
3. Le cycle de la chasse d'eau ne se déclenche pas lorsqu'on appuie sur le bouton de la chasse d'eau.	<ul style="list-style-type: none"> a. Le réservoir d'eaux noires est plein et le signal du réservoir a mis les WC hors tension. b. Le courant qui alimente les WC est coupé ou interrompu. c. Il y a un dysfonctionnement au niveau du commutateur de la chasse d'eau. d. Il y a un dysfonctionnement au niveau du circuit imprimé du module de contrôle. 	<ul style="list-style-type: none"> a. Videz le réservoir à eaux noires. b. Contrôlez les câbles et les disjoncteurs (ou fusibles). c. Remplacez le commutateur de la chasse d'eau. d. Remplacez le module de contrôle.
4. L'apport d'eau dans la cuvette est insuffisant, voire inexistant.	<ul style="list-style-type: none"> a. La ligne d'alimentation en eau est pincée ou nouée. b. Le filtre de la vanne hydraulique est obturé. c. Les filtres d'admission d'eau sont obturés (dans le système d'eau non traitée). d. Il y a un dysfonctionnement au niveau de la vanne hydraulique. 	<ul style="list-style-type: none"> a. Vérifiez la ligne d'alimentation en eau. b. Nettoyez ce qui obture la vanne hydraulique. c. Nettoyez les filtres hydrauliques. d. Remplacez la vanne hydraulique.

9 Garantie et Responsabilité pour le produit

Amérique du Nord et reste du monde:

Garantie du fabricant limitée à un an

Le secteur Assainissement du groupe Dometic garantit à l'acheteur d'origine uniquement que ce produit, s'il est utilisé à des fins personnelles, familiales et dans le cadre privé, est exempt de défauts de matériau et de fabrication pour une période d'un an à compter de la date d'achat.

Si ce produit Dometic est utilisé à des fins commerciales, nous garantissons à l'acheteur d'origine exclusivement que ce produit est exempt de défauts de matériau et de fabrication pour une période de quatre-vingt-dix (90) jours à compter de la date d'achat.

Dometic se réserve le droit de remplacer ou réparer toute pièce de ce produit s'avérant, après inspection par Dometic, présenter des défauts de matériau ou de fabrication. Tous les coûts de laboratoire et de transport ou les frais relatifs au service de garantie sont à la charge de l'acheteur-utilisateur.

EXCLUSIONS

DOMETIC NE PEUT EN AUCUN CAS ÊTRE TENU RESPONSABLE DE DOMMAGES ACCIDENTELS OU CONSÉCUTIFS, DE DOMMAGES RÉSULTANT D'UNE INSTALLATION IMPROPRE OU DE DOMMAGES CAUSÉS PAR LA NÉGLIGENCE, L'UTILISATION ABUSIVE, L'ALTÉRATION OU L'USAGE DE COMPOSANTS NON AUTORISÉS. TOUTES LES GARANTIES IMPLICITES, Y COMPRIS LA GARANTIE DE VALEUR MARCHANDE ET LA GARANTIE D'APTITUDE POUR UN USAGE PARTICULIER, SONT LIMITÉES À UNE PÉRIODE D'UN AN À COMPTER DE LA DATE D'ACHAT.

GARANTIES IMPLICITES

Il est strictement interdit de modifier les garanties ou obligations telles qu'elles sont fixées ici, de faire des ajouts ou de créer d'autres. Les garanties implicites, y compris la garantie de valeur marchande et la garantie d'aptitude pour un usage particulier, sont limitées à une période d'un (1) an à compter de la date d'achat pour les produits utilisés à des fins personnelles, familiales et dans le cadre privé, et à une période de quatre-vingt-dix (90) jours à compter de la date d'achat pour les produits utilisés à des fins commerciales.

AUTRES DROITS

Certains États ne permettent pas la limitation de la durée d'une garantie implicite et certains États ne permettent pas l'exclusion ou la limitation des dommages accidentels ou consécutifs, de sorte que la limitation ci-dessous peut ne pas vous concerner. Cette garantie vous confère des droits légaux spécifiques et vous pouvez bénéficier d'autres droits qui varient d'un État à l'autre.

Pour obtenir le service de garantie, veuillez contacter dans un premier temps le revendeur chez lequel vous avez acheté ce produit ou consulter le site dometic.com afin de trouver un revendeur près de chez vous.

Europe:**Garantie et service après-vente**

Les conditions de la garantie correspondent à la directive 44/1999/CE et aux conditions normales applicables dans le pays concerné. Pour la garantie ou un autre service, veuillez contacter notre service après-vente Dometic/Waeco dont la liste figure dans le manuel. Tout dommage dû à une utilisation non conforme n'est pas couvert par la garantie.

La garantie ne couvre pas les modifications apportées au produit ou l'utilisation d'autres pièces que les pièces Dometic d'origine; la garantie ne s'applique pas si les instructions d'installation et d'utilisation ne sont pas respectées et aucune responsabilité ne peut être admise.

Responsabilité pour le produit

La responsabilité du groupe Dometic et de ses filiales pour le produit ne comprend pas les dommages éventuellement provoqués par: une utilisation impropre; des modifications impropres ou des interventions sur le matériel; des effets nocifs de l'environnement pouvant avoir un impact sur le matériel lui-même ou le matériel et les personnes à proximité directe dans cette zone.

Pour obtenir le service de garantie, veuillez contacter dans un premier temps le revendeur chez lequel vous avez acheté ce produit ou consulter le site dometic.com/fr/Europe/France/Custom-Center/ afin de trouver un revendeur près de chez vous.

10 Service après-vente

Un réseau mondial conséquent est à votre disposition pour vous assister dans l'entretien et la maintenance de votre système d'assainissement. Pour connaître le centre habilité le plus proche de chez vous, contactez-nous du lundi au vendredi de 8 h à 17 h.

Vous ou votre revendeur local pouvez également contacter le fournisseur de pièces le plus proche de chez vous. Vous obtiendrez ainsi une réponse rapide lorsque vous avez besoin de pièces de rechange. Ils détiennent la liste complète de la ligne de produits Dometic.

Téléphone :	1 800-321-9886	Etats-Unis et Canada
	330-439-5550	International
Fax :	330-496-3097	Etats-Unis et Canada
	330-439-5567	International
Site Web :	Dometic.com	

Índice

ES

1	Notas relativas al uso de este manual	31
2	Instrucciones generales de seguridad.	31 - 32
3	Uso previsto.	32
4	Componentes	33
5	Especificaciones	33 - 34
6	Funcionamiento	34 - 35
7	Mantenimiento y acondicionamiento para el invierno.	35 - 37
8	Solución de averías	37
9	Garantía y responsabilidad sobre el producto	38 - 39
10	Servicio de atención al cliente.	39

1 Notas relativas al uso de este manual



¡Precaución!

Indicación de seguridad: si no respeta esta indicación, se pueden producir daños materiales y perjudicar el funcionamiento del dispositivo.



Nota

Información suplementaria relativa al manejo del dispositivo.

fig. 1 A, pág. 2 : se refiere a un elemento de un dibujo. En este ejemplo, elemento 1 en la figura 2 de la pág. 2.

2 Instrucciones generales de seguridad

El fabricante no se hará responsable de las reclamaciones por daños resultantes de alguno de los siguientes casos:

- Montaje o conexión incorrectos
- Daños producidos por influencias mecánicas
- Modificaciones efectuadas sin la autorización expresa por escrito del fabricante
- Uso para fines distintos de los descritos en el manual de funcionamiento

2.1 Advertencias relativas a las aplicaciones marinas

Antes de proceder a la instalación, el mantenimiento o el funcionamiento de este producto en una embarcación se deben leer y comprender las siguientes instrucciones. Si se modifica este producto, se pueden producir daños materiales.

Dometic recomienda que sea un técnico o un electricista marino cualificado quien instale o realice el mantenimiento de este producto. Una instalación incorrecta puede provocar daños en el producto, lesiones personales o incluso la muerte. **DOMETIC NO ACEPTARÁ NINGÚN TIPO DE RESPONSABILIDAD POR DAÑOS MATERIALES, LESIONES PERSONALES O MUERTE RESULTANTES DE UNA INSTALACIÓN; MANTENIMIENTO O FUNCIONAMIENTO INCORRECTOS DE ESTE PRODUCTO.**



¡Precaución! Peligro de inundación

Si el inodoro está conectado a ALGÚN racor pasacascos, cierre SIEMPRE las válvulas de toma de agua de mar cuando no se utilice el inodoro (incluso aunque la embarcación se quede sin vigilancia durante un breve espacio de tiempo). Todos los pasajeros DEBEN recibir instrucción respecto a cómo cerrar las válvulas cuando no se utiliza el inodoro. El incumplimiento de lo anterior puede causar inundaciones que provoquen daños materiales e incluso la muerte.



**¡Precaución! Peligro de inundación**

Si el inodoro utiliza agua fresca para la cisterna y en ALGÚN momento está conectado, directa o indirectamente, a una red pública de agua, estas tomas de agua se DEBERÁN desconectar si se deja la embarcación sin vigilancia (aunque sólo sea durante un breve espacio de tiempo). El incumplimiento de lo anterior puede causar inundaciones que provoquen daños materiales e incluso la muerte.

**¡Precaución! Peligro de inundación**

Antes de proceder a cualquier trabajo en este producto, asegúrese de que la unidad esté desconectada de la alimentación eléctrica y de que las válvulas de toma de agua de mar estén en la posición CERRADO u OFF. El incumplimiento de lo anterior puede causar inundaciones que provoquen daños materiales e incluso la muerte.

**¡Precaución!**

Si se llena excesivamente el depósito de retención se puede dañar gravemente el sistema sanitario, que se podría romper dejando salir su contenido a la sentina. Para evitar esta posibilidad, Dometic recomienda utilizar el relé de desconexión para depósito lleno en el módulo de control electrónico del inodoro. La señal de "lleno" procedente del depósito de retención puede ser generada por un sistema opcional de control del depósito Dometic DTM01C o por un sistema de cuatro niveles de control del depósito DTM04.

3 Uso previsto

El inodoro MasterFlush de la serie 8100 de Dometic tiene un sistema de cisterna automática que macera los residuos y los bombea a un depósito de retención o a algún otro sistema de almacenamiento o gestión de residuos. Un pulsador instalado en la pared para activar la cisterna permite al usuario añadir agua a la taza (antes o después de vaciar la cisterna) y vaciar la cisterna presionando el pulsador.

3.1 Ventajas

Activación electrónica adecuada de la cisterna. Añada agua o vacíe la cisterna simplemente pulsando un botón.

Selección entre dos modalidades de consumo de agua. Una activación "normal" añade agua a la taza mientras se mantiene pulsado el botón; "bajo consumo" no utiliza agua cuando se activa la cisterna: sólo funciona la bomba trituradora.

Instalación versátil. La potente bomba trituradora permite que el inodoro esté situado hasta a 30 m de distancia o a 3 m por debajo del depósito de retención o de cualquier otra línea de descarga.

Desconexión automática cuando el depósito esté lleno (instalación opcional: es necesario un sistema de control del depósito y un relé de desconexión. Disponibles por separado). Si está conectado a un sistema de indicación de nivel del depósito de retención, el sistema de inodoro de la serie 8100 desconectará la alimentación eléctrica al inodoro cuando el depósito de retención esté lleno. Esta medida de seguridad evita que el depósito de retención se llene excesivamente, lo cual podría provocar daños en la embarcación.

4 Componentes

(fig. 1, pág. 2)

Ref.	Descripción
A	Inodoro triturador
B	Pulsador de la cisterna Dometic
C	Cable de entrada de alimentación
D	Cables de salida (2) hacia el inodoro
E	Cables de entrada (2) desde el pulsador de la cisterna
F	Cables de salida (2) hacia la conexión a tierra
G	Juego de fijación al suelo
H	Plantilla para montaje en el suelo
I	Plantilla para marcar en la pared la ubicación del pulsador de la cisterna
J	Adaptador de la válvula de agua
K	Codo de descarga

(fig. 2, pág. 2)

Ref.	Descripción
1	Válvula antisifón
2	Válvula de control
3	Salida del codo de descarga
4	Racor del adaptador de descarga
5	Racor de la manguera de descarga
6	Bomba trituradora
7	Válvula de agua
8	Tubería de agua con racor NPT de 0,5 pulgadas

Para más información, consulte la lista completa de piezas (entregada por separado).

5 Especificaciones

5.1 Materiales

Inodoro: cerámica vítrea

Cuerpo de la bomba trituradora: polipropileno reforzado con fibra de vidrio

Panel de mando de la cisterna Dometic: aluminio con recubrimiento en polvo

5.2 Requisitos mínimos del sistema

Sistema eléctrico	Disyuntor	20 amperios/12 V CC; 15 amperios/24 V CC
	Cableado	12 ga. (hasta a 6,1 m/20 pies del disyuntor)
Alimentación de agua	Racor	Tubería de agua flexible de 13 mm de diám. int.
	Tasa de caudal	7,6 lpm/2,0 gpm mínimo
Descarga	Diámetro interior	38 mm/1,5 pulgadas o 25 mm/1 pulgada mínimo
	En horizontal	30 m/98 pies máximo
	En vertical	3 m/9,8 pies máximo

Queda reservado el derecho a modificar los datos sin previo aviso.

5.3 Dimensiones (fig. 3, pág. 2)

Modelos de altura estándar

Ref.	Dimensión
A	467 mm / 18,375 pulgadas
B	375 mm / 14,75 pulgadas
C	467 mm / 18,375 pulgadas
D	Altura del asiento: 432 mm / 17 pulgadas
E	378 mm / 14,875 pulgadas
F	Tapa del asiento abierta: 813 mm/32 pulgadas

Modelos con perfil bajo

Ref.	Dimensión
A	381 mm / 15 pulgadas
B	375 mm / 14,75 pulgadas
C	467 mm / 18,375 pulgadas
D	Altura del asiento: 349 mm / 13,75 pulgadas
E	356 mm / 14 pulgadas
F	Tapa del asiento abierta 711 mm/28 pulgadas

6 Funcionamiento

6.1 Poner en funcionamiento el sistema de inodoro

1. Abra la alimentación de agua al inodoro.
2. Presione el pulsador “Cisterna” (2) y manténgalo presionado al menos cinco segundos.
3. Tire algunas hojas de papel higiénico en la taza y repita el ciclo. La taza debe haber quedado enjuagada.

6.2 Funcionamiento normal del inodoro

AÑADIR AGUA A LA TAZA DEL INODORO

Presione el pulsador “Añadir agua” (1) y manténgalo presionado hasta alcanzar el nivel de agua que desee. (No presione durante demasiado tiempo el pulsador “Añadir agua” porque podría provocarse un desbordamiento). Normalmente sólo se añade más agua cuando se trata de heces.

ACTIVAR LA CISTERNA DEL INODORO

Presione el pulsador “Cisterna” (2) y manténgalo presionado durante unos segundos después de que se drene la descarga desde la taza del inodoro (unos cinco segundos). Este pulsador activa una potente bomba trituradora que sifona agua y la materia fecal de la taza, las tritura e impulsa el fluido resultante a través de la tubería de descarga/depósito de retención. Para usar menos agua cuando se active la cisterna sólo para eliminar líquidos, presione el pulsador “Cisterna” durante menos tiempo.

MODO “BAJO CONSUMO”

Durante periodos de viaje accidentados, el agua de la taza del inodoro puede salirse del mismo. Para evitar lo anterior, presione el pulsador “Bajo consumo” (3) para drenar todo el agua de la taza del inodoro. Cuando presione o después de presionar el pulsador “Bajo consumo” no se añadirá agua a la taza.



**Precaución – no descargue residuos con el pulsador “Bajo consumo”.**

Para mantener la limpieza y el correcto funcionamiento del inodoro y de la bomba trituradora, deberá usarse agua cada vez que se active la cisterna.

**Precaución: No vierta por el inodoro ningún objeto.**

Utilice la cisterna únicamente para eliminar agua, materia fecal y papel higiénico de rápida disolución. No utilice la cisterna para eliminar toallitas húmedas, compresas, condones, pañales, vasos de cartón, bastoncillos de algodón, comida, pelos o líquidos como aceites o disolventes ya que ello podría atascar o dañar el inodoro o el sistema.

**Nota**

Asegúrese de que todas las personas que se hallen a bordo conozcan el uso correcto del inodoro antes de usarlo.

6.3 Funcionamiento del inodoro conectado al relé de desconexión para “depósito lleno” y al sistema de control del depósito

Cuando un sistema de inodoro triturador Dometic de la serie 8100 utiliza un relé de desconexión para “depósito lleno”, se desconecta la alimentación eléctrica al inodoro cuando el nivel del depósito de retención indica “lleno”. Para volver a conectar la alimentación eléctrica al inodoro para activar la cisterna, debe vaciarse el contenido del depósito de retención o descargarse hasta que el indicador “lleno” quede desactivado.

7 Mantenimiento y acondicionamiento para el invierno

7.1 Limpiar el inodoro

Para conservar el aspecto original y lustroso del inodoro, utilice el agente limpiador para inodoros Dometic o cualquier otro agente limpiador no abrasivo para baños e inodoros. Siga las instrucciones dadas en la etiqueta.

**Precaución**

Para evitar dañar juntas internas, no limpie el inodoro con agente limpiadores abrasivos, agentes químicos caústicos o lubricantes ni con agentes de limpieza que contengan alcohol o destilados del petróleo.

7.2 Mantenimiento rutinario

MENSUALMENTE

1. Revise el inodoro, las tuberías y sus conexiones, así como los cables y sus conexiones.
2. Abra y cierre todas las válvulas de las tuberías, incluyendo las válvulas de toma de agua de mar.
3. Controle si los filtros de agua en línea o los codos de ventilación están obstruidos.

ANUALMENTE

Controle el filtro de la válvula de agua. Controle también el filtro de la válvula de agua si el caudal de agua que fluye al inodoro es insuficiente.

7.3 Durante periodos prolongados sin usar

El inodoro triturador y las mangueras sanitarias se deben proteger si no se va a utilizar el inodoro durante un tiempo prolongado (más de dos semanas, sobre todo en época de calor).

1. Active la cisterna en modo "normal" y añada 118 ml (4 onzas líquidas) de detergente biodegradable para ropa (que NO contenga lejía ni sustancias perjudiciales para el medio ambiente). Nota: si utiliza agua de mar para la cisterna, apague la bomba de agua de mar y añada agua fresca directamente en la taza mientras está corriendo el agua de la cisterna.
2. Active la cisterna al menos cinco veces.
3. Cierre la alimentación de agua al inodoro.
4. Active la cisterna sin agua. Repítalo tres veces. (Este procedimiento reducirá el agua que quede en la bomba trituradora.)
5. Desconecte la alimentación eléctrica al inodoro.

Si el sistema está expuesto a temperaturas por debajo de 0 °C, siga el procedimiento indicado más arriba y acondicione el sistema para invierno como se describe más abajo.

7.4 Acondicionar para el invierno

Al final de cada temporada, el inodoro triturador Dometic se debe acondicionar para ser guardado en invierno utilizando anticongelante apto para agua potable (si la embarcación o vehículo van a estar expuestos a temperaturas por debajo de 0 °C).

**Nota**

Utilice anticongelante no tóxico apto para sistemas de agua potable. (Véase el manual de la embarcación o del vehículo.)

**Precaución**

No utilice nunca anticongelante para automóviles en sistemas de agua fresca.

SISTEMA DE AGUA FRESCA A PRESIÓN

1. Vacíe el depósito de agua potable y el depósito de retención.
2. Añada anticongelante para agua fresca en el depósito de agua.
3. Enjuague el inodoro y todo el sistema, incluyendo el depósito de retención, conexiones de válvulas desviadoras, bombas de descarga, etc. con una mezcla de agua y anticongelante apto para agua potable. Desconecte la alimentación eléctrica al inodoro.

Cada instalación es diferente y, por tanto, las cantidades pueden variar. La protección adecuada queda a discreción del usuario.

SISTEMA DE AGUA BRUTA

Piezas necesarias:

- Manguera que se adecue a la bomba de agua bruta, de unos 1 m de longitud
- Un recipiente

1. Cierre las válvulas de entrada y descarga de agua de mar. Véase en este manual el apartado Peligro de inundación.
2. Desconecte la alimentación eléctrica al inodoro.
3. Desconecte y drene la manguera de entrada y los filtros en línea.
4. Conecte la manguera a la toma de la bomba de agua bruta.
5. Coloque la manguera conectada a la toma de la bomba en el cubo con anticongelante.
6. Conecte la alimentación eléctrica al inodoro y active la cisterna hasta que no quede anticongelante en el inodoro.
7. Desconecte la alimentación eléctrica del inodoro y vuelva a conectar todas las mangueras de toma y descarga.

8 Solución de averías

Avería	Causa posible	Solución
1. La cisterna del inodoro funciona correctamente, pero el agua de la taza se vacía lentamente o no se vacía.	<ol style="list-style-type: none"> a. El sistema de tuberías de descarga tiene algún punto de aplastamiento o dobladura. b. El sistema de tuberías de descarga está demasiado alto. (Tenga en cuenta que los codos verticales ascendentes no deben superar una altura total de 3 m (9,8 pies). c. La bomba trituradora o el sistema de tuberías de descarga están bloqueados. 	<ol style="list-style-type: none"> a. Revisar el sistema de tuberías de descarga. b. Tender nuevamente el sistema de tuberías de descarga c. Cerrar las válvulas de toma de agua de mar y eliminar la obstrucción.
2. La bomba trituradora hace un ruido inusualmente alto o dispara constantemente el disyuntor.	<ol style="list-style-type: none"> a. En la cámara de la bomba hay algún cuerpo extraño. 	<ol style="list-style-type: none"> a. Cerrar las válvulas de toma de agua de mar y retirar los cuerpos extraños.
3. El ciclo de cisterna no se activa después de haber pulsado el botón.	<ol style="list-style-type: none"> a. El depósito de retención está lleno y la señal del depósito ha desconectado la alimentación eléctrica al inodoro. b. La alimentación eléctrica al inodoro se ha desconectado o interrumpido. c. Funcionamiento defectuoso del pulsador de la cisterna. d. Funcionamiento defectuoso del tablero de circuitos del módulo de control. 	<ol style="list-style-type: none"> a. Vaciar el depósito de retención. b. Revisar el cableado y los disyuntores (o fusibles). c. Cambiar el pulsador de la cisterna. d. Cambiar el módulo de control.
4. No entra suficiente agua en la taza o no entra en absoluto.	<ol style="list-style-type: none"> a. La línea de alimentación de agua está aplastada o doblada. b. El filtro de la válvula de agua está obstruido. c. Los filtros de entrada de agua están obstruidos (en el sistema de agua bruta). d. Funcionamiento defectuoso de la válvula de agua. 	<ol style="list-style-type: none"> a. Comprobar la línea de alimentación de agua. b. Desobstruir la válvula de agua. c. Limpiar los filtros de agua. d. Cambiar la válvula de agua.

9 Garantía y responsabilidad sobre el producto

América del Norte y el resto del mundo:

Garantía del fabricante limitada a un año

El sector sanitario de Dometic Corporation garantiza al comprador original únicamente que este producto, no presentará ningún defecto de material ni de fabricación durante el periodo de un año a partir de la fecha de compra, si se utiliza para fines personales, familiares o domésticos.

Si a este producto Dometic se le da un uso comercial, se le garantizará al comprador original únicamente que estará libre de defectos de material y de fabricación durante un periodo de noventa días (90) a partir de la fecha de compra.

Dometic se reserva el derecho a sustituir o reparar cualquier pieza de este producto que, tras una inspección realizada por Dometic, se demuestre defectuosa en material o fabricación. Todos los costes de mano de obra y de transporte adicionales al servicio de garantía correrán a cargo del comprador/usuario.

EXCLUSIÓN DE RESPONSABILIDAD

EN NINGÚN CASO DOMETIC SE HARÁ RESPONSABLE DE DAÑOS FORTUITOS O EMERGEN-
TES NI DE DAÑOS RESULTANTES DE UNA INSTALACIÓN INCORRECTA NI DE DAÑOS CAUSA-
DOS POR NEGLIGENCIA, USO INDEBIDO, MODIFICACIÓN O USO DE PIEZAS NO AUTORIZA-
DAS. TODAS LAS GARANTÍAS IMPLICADAS, INCLUYENDO CUALQUIER GARANTÍA I
MPLICADA DE COMERCIALIDAD O DE IDONEIDAD PARA UN FIN DETERMINADO, SE LIMITAN A
UN PERIODO DE UN AÑO A PARTIR DE LA FECHA DE COMPRA.

GARANTÍAS IMPLICADAS

Queda terminantemente prohibido modificar, añadir o crear ninguna garantía u obligación a las aquí expuestas. Las garantías implicadas, incluyendo las de comercialidad e idoneidad para un fin determinado, se limitan a un (1) año a partir de la fecha de compra para productos destinados al uso personal, familiar o doméstico, y a noventa (90) días a partir de la fecha de compra para productos destinados a un uso comercial.

OTROS DERECHOS

Algunos países no permiten limitar la duración de una garantía implicada y otros no permiten exclusiones o limitación de la responsabilidad en relación a daños fortuitos o emergentes; por ello, puede ser que las limitaciones expuestas más arriba no se apliquen para usted. Esta garantía le proporciona a usted unos derechos jurídicos específicos y, dependiendo del país donde se encuentre, puede ser que también pueda disfrutar de otros derechos.

Para obtener el servicio de garantía, póngase en contacto con el distribuidor local a quien le compró este producto o visite la página dometic.com para encontrar un distribuidor próximo a usted.

Europa:

Garantía y Servicio al Cliente

Los acuerdos de garantía se han tomado conforme a la directiva CE 44/1999/CE y las condiciones normales aplicables al país en cuestión. Para cuestiones relativas a la garantía o a otros servicios, póngase en contacto con el Departamento de Atención al Cliente que aparece listado en este manual. La garantía no cubre ningún daño provocado por un uso indebido.

Esta garantía perderá su validez en el caso de que se hayan realizado modificaciones en el producto o de que se hayan utilizado piezas no originales de Dometic. Asimismo, tampoco se aplicará en el caso de que no se hayan respetado las instrucciones de instalación y manejo, en cuyo caso se declinará toda responsabilidad.

Responsabilidad sobre el producto

La responsabilidad de Dometic Group y sus compañías subsidiarias no cubre daños provocados por: man-ejo incorrecto, modificaciones o intervenciones indebidas en el equipo; efectos adversos del entorno que puedan afectar al equipo o a las inmediaciones del mismo o a las personas que se encuentren en la zona.

Para obtener el servicio de garantía, póngase en contacto con el distribuidor local a quien le compró este producto o visite la página dometic.com para encontrar un distribuidor próximo a usted.

10 Servicio de Atención al Cliente

Hay una sólida red mundial de mantenimiento y servicio para asistirle en lo referente a su sistema sanitario. Para informarse sobre el Centro de Servicio Autorizado más cercano, llame por teléfono al número indicado más abajo entre las 8:00 h y las 17.00 h (hora del Este) de lunes a viernes.

También puede ponerse en contacto con el proveedor de piezas más cercano, directamente o a través de su distribuidor local, para obtener rápidamente las piezas de repuesto que necesite. Tienen un inventario completo de la gama de productos de Dometic.

Teléfono:	1 800-321-9886 330-439-5550	EEUU y Canadá Internacional
Fax:	330-496-3097 330-439-5567	EEUU y Canadá Internacional
Sitio web:	Dometic.com	

Inhoudsopgave

NL

1	Opmerkingen over het gebruik van de gebruiksaanwijzing.	40
2	Algemene veiligheidsaanwijzingen	40 - 41
3	Beoogd gebruik.	41
4	Componenten	42
5	Specificaties	42 - 43
6	Bediening.	43 - 44
7	Onderhoud en winterklaar maken	44 - 45
8	Verhelpen van storingen	46
9	Garantie en Productaansprakelijkheid.	47
10	Klantenservice	47

1 Opmerkingen over het gebruik van de gebruiksaanwijzing



Waarschuwing!

Veiligheidsaanwijzing: Als deze aanwijzing niet in acht wordt genomen kan dit leiden tot materiële schade en een verminderde werking van het toestel.



Opmerking

Extra informatie over het bedienen van het toestel.

afb. 2 A, pagina 2: Dit verwijst naar een element in een afbeelding. In dit voorbeeld, item A in afbeelding 2 op pagina 2.

2 Algemene veiligheidsaanwijzingen

De fabrikant is niet verantwoordelijk voor schade die wordt veroorzaakt door het volgende:

- verkeerde montage of aansluiting
- beschadiging van de unit door mechanische invloeden
- wijzigingen aan de unit zonder uitdrukkelijke schriftelijke toestemming van de fabrikant
- gebruik voor andere doeleinden dan beschreven in de bedieningshandleiding

2.1 Waarschuwingen – maritieme toepassingen

Voordat u dit product installeert, onderhoudt en/of gebruikt op een boot moet u de volgende verklaringen hebben gelezen en begrepen. Wijzigingen aan het product kunnen leiden tot schade aan uw eigendommen.

Dometic adviseert dit product te laten installeren of onderhouden door een gekwalificeerde scheepsmonteur of elektromonteur. Een niet correcte installatie kan leiden tot beschadiging van de uitrusting, persoonlijk letsel of overlijden. **DOMETIC AANVAARDT GEEN VERANTWOORDELIJKHEID OF AANSPRAKELIJKHEID VOOR SCHADE AAN DE UITRUSTING, PERSOONLIJK LETSEL OF OVERLIJDEN ALS GEVOLG VAN EEN NIET CORRECTE INSTALLATIE, BEDIENING OF ONJUIST ONDERHOUD VAN DIT PRODUCT.**



Waarschuwing! Gevaar voor overstroming

Als het toilet is aangesloten op een van de buitenboordaansluitingen moet u **ALTIJD** de buitenboordkranen sluiten als het toilet niet wordt gebruikt (zelfs als de boot voor een korte periode onbeheerd is). Aan alle passagiers **MOET** worden uitgelegd hoe de kleppen worden gesloten als het toilet niet in gebruik is. Als u zich niet hieraan houdt, kan dit leiden tot overstrooming en daardoor tot verlies van leven of eigendommen.

**Waarschuwing! Gevaar voor overstroming**

Als het toilet vers water gebruikt voor de spoeling en op ENIGERLEI moment direct of indirect wordt aangesloten aan het watertoevoersysteem op de kade, MOETEN deze wateraansluitingen worden afgesloten als de boot onbeheerd wordt gelaten (zelfs als dit voor een korte periode is). Als u zich niet hieraan houdt, kan dit leiden tot overstroming en daardoor tot verlies van leven of eigendommen.

**Waarschuwing! Gevaar voor overstroming**

Voordat u werkzaamheden aan dit product uitvoert moet u eerst controleren dat de stroom naar de eenheid is uitgeschakeld en dat de buitenboordkranen GESLOTEN zijn of in de UIT-stand staan. Als u zich niet hieraan houdt, kan dit leiden tot overstroming en daardoor tot verlies van leven of eigendommen.

**Waarschuwing!**

Een te volle vuilwatertank kan leiden tot ernstige schade aan het afvoersysteem. Zo kan de vuilwatertank scheuren en de vrijgekomen tankinhoud kan het onderruim binnestromen. Om dit te voorkomen adviseert Dometic een uitschakelrelais voor een volle tank te monteren in de elektronische regelmodule van het toilet. Het "vol"-signaal van de vuilwatertank kan worden gegenereerd door een optionele Dometic DTM01C-tankmonitor of het DTM04-tankmonitorsysteem voor vier tankniveaus.

3 Beoogd gebruik

Het MasterFlush-toilet uit de Dometic 8100-series biedt een toilet met elektrische spoeling die het afval inweekt en naar de vuilwatertank of een ander(e) afvoeropslag/afvoersysteem pompt. Het toilet wordt bediend met een spoelknop die aan de wand is gemonteerd. Hiermee kan met een druk op de knop water in de toiletpot worden geleid (voor of na het spoelen) en het toilet worden gespoeld.

3.1 Voordelen

Comfortabele elektronische spoeling. Water toevoegen of spoelen met een druk op de knop.

Keuze uit twee instellingen voor het waterverbruik. Bij „normaal” spoelen wordt er water in de toiletpot gespoeld zolang de knop ingedrukt wordt gehouden. Bij „toiletpot drogen” wordt er geen water gespoeld, maar alleen de versnijdingspomp gebruikt.

Flexibele installatie. Door de krachtige versnijdingspomp kan het toilet tot 30 m van of 3 m onder de vuilwatertank of een andere bestemming voor de afvoerleiding worden gemonteerd.

Automatische uitschakeling bij „volle tank” (optionele installatie – tankniveaumonitor en een uitschakelrelais vereist. Separaat verkrijgbaar). Als de het toiletsysteem uit de 8100-series is aangesloten op een indicatiesysteem voor het niveau in de vuilwatertank, schakelt deze de elektriciteit naar het toilet automatisch uit als de tank vol is. Deze veiligheidsvoorziening voorkomt dat de vuilwatertank te vol raakt en schade aan uw boot kan veroorzaken.

4 Componenten

(afb. **1**, pagina 2)

Ref.	Beschrijving
A	Toilet met versnijdingspomp
B	Dometic spoelknop
C	Elektrische ingangsleding
D	Uitgangsledingen (2) naar toilet
E	Ingangsledingen (2) van spoelknop
F	Uitgangsledingen (2) naar aardaansluiting
G	Hardwareset voor vloermontage
H	Sjabloon voor vloermontage
I	Wandsjabloon voor spoelknop
J	Waterklepadapter
K	Kniestuk voor afvoer

(afb. **2**, pagina 2)

Ref.	Beschrijving
1	Antisifon-klep
2	Retourklep
3	Afvoertuitlaat
4	Aansluiting afvoeraadapter
5	Aansluiting afvoerslang
6	Versnijdingspomp
7	Waterklep
8	Waterlijn - 0,5 inch NPT-aansluiting

Zie de volledige onderdelenlijst (separaat verpakt) voor meer informatie.

5 Specificaties

5.1 Materialen

Toilet: glaskeramik

Behuizing versnijdingspomp: glasgevuld polypropyleen

Dometic drukknoppaneel: aluminium met poedercoating

5.2 Minimale systeemvereisten

Elektrisch	stroomonderbreker	20 amp/12 V DC; 15 amp/24 V DC
	bedrading	12 ga. (tot 6,1 m/20 ft van onderbreker)
Watertoevoer	aansluiting	13 mm binnendiameter flexibele waterleiding
	debiet	7,6 lpm/2,0 gpm minimum
Afvoer	binnendiameter	38 mm/1,5 inch of 25 mm/1 inch minimum
	horizontale loop	30 m/98 ft maximum
	verticale loop	3 m/9,8 ft maximum

Deze gegevens kunnen zonder aankondiging worden gewijzigd.

5.3 Afmetingen (afb. 3, pagina 2)

Modellen in standaardhoogte

Ref.	Afmeting
A	467 mm / 18,375 in.
B	375 mm / 14,75 in.
C	467 mm / 18,375 in.
D	432 mm / 17 in. - brilhoogte
E	378 mm / 14,875 in.
F	813 mm / 32 in. - opstaande bril

Modellen met laag profiel

Ref.	Afmeting
A	381 mm / 15 in.
B	375 mm / 14,75 in.
C	467 mm / 18,375 in.
D	349 mm / 13,75 in. - brilhoogte
E	356 mm / 14 in.
F	711 mm / 28 in. - opstaande bril

6 Bediening

6.1 Opstarten van het toiletsysteem

1. Watertoevoer naar toilet inschakelen.
- 2- De „spoel“-knop (2) indrukken en deze voor minimaal vijf seconden ingedrukt houden.
3. Meerdere vellen toiletpapier in de pot gooien en de cyclus herhalen. De pot moet volkomen leeg zijn.

6.2 Normale bediening van het toilet

WATER TOEVOEGEN AAN DE TOILETPOT

Op de knop „water toevoegen” (1) drukken en ingedrukt houden totdat het gewenste waterniveau is bereikt. (Niet te lang op de knop „water toevoegen” drukken, aangezien het water daardoor kan overstromen.) Er wordt meestal alleen water toegevoegd als er vaste stoffen worden gespoeld.

SPOELN VAN HET TOILET

De „spoel“-knop (2) indrukken en enkele seconden ingedrukt houden nadat het water uit de toiletpot is verdwenen (ongeveer vijf seconden). Met deze knop wordt de krachtige versnijdingspomp geactiveerd die het water en de fecaliën uit de toiletpot pompt, versnijdt en het afvoerwater door de afvoerleiding/ vuilwatertank voert. Om minder water te gebruiken wanneer er alleen vloeibare stoffen hoeven te worden weggespoeld drukt u de „spoel“-knop voor een kortere tijd in.

FUNCTIE „TOILETPOT DROGEN”

Bij het varen door ruw water kan er water uit de toiletpot spatten en in de badkamer terechtkomen. Om dit te voorkomen drukt u de knop „toiletpot drogen” (3) in om al het water uit de toiletpot af te voeren. Terwijl u de knop „toiletpot drogen” indrukt of nadat u deze hebt ingedrukt wordt er geen water in de toiletpot gespeeld.



Waarschuwing – Gebruik de knop „toiletpot drogen” niet om afval weg te spoelen!

Om de toiletpot schoon te houden en voor een goede werking van de versnijdingspomp moet er altijd water worden gebruikt bij het spoelen.



Waarschuwing – Geen vreemde voorwerpen spoelen!

Alleen water, fecaliën en snel oplozend toiletpapier spoelen. Geen natte doeken, maandverband, condooms, luiers, papierbekers, wattenstaafjes, voedsel, haar of vloeistoffen zoals oliën of oplosmiddelen spoelen. Hierdoor kan het toilet of het toiletsysteem verstopt raken of beschadigen.



Opmerking

Zorg ervoor dat alle gasten de toiletbediening begrijpen voordat zij hem gebruiken.

6.3 Bediening van het toilet als deze is aangesloten op een uitschakelrelais voor „volle tank” en een tankmonitorsysteem

Wanneer de Dometic toilet met versnijdingspomp uit de 8100-series wordt gebruikt met een uitschakelrelais voor „volle tank”, schakelt de elektrische stroom naar het toilet uit, wanneer de vuilwatertank het niveau „vol” bereikt. Om de elektrische stroom naar het toilet te herstellen en weer te kunnen spoelen, moet de vuilwatertank worden geleegd totdat de indicator voor „volle tank” niet meer geactiveerd is.

7 Onderhoud en winterklaar maken

7.1 Het toilet schoonmaken

Om het originele glanzende uiterlijk van het toilet te behouden gebruikt u Dometic toiletreiniger of een andere niet-schurende bad- en toiletreiniger. Daarbij volgt u de aanwijzingen op het etiket.



Waarschuwing

Om beschadiging van de interne afdichtingen te voorkomen, het toilet niet schoonmaken met schurende reinigers, bijtende chemicaliën of smeermiddelen en reinigers, die alcohol of benzinedistillaten bevatten.

7.2 Regelmatig onderhoud

MAANDELIJKS

1. Toilet, buizen en buisverbindingen, bedrading en draadverbindingen inspecteren.
2. De buiskleppen, inclusief de buitenboordkranen openen en sluiten.
3. De waterfilters in de leiding en beluchters controleren op blokkeringen.

JAARLIJKS

Waterklepfilter controleren. Het waterklepfilter moet u ook controleren als de waterstroom in het toilet niet voldoende is.

7.3 Als het toilet gedurende langere tijd niet wordt gebruikt

Het toilet met versnijdingspomp en sanitaire slangen moeten worden beschermd als het toilet voor een langere tijd niet wordt gebruikt (meer dan twee weken, vooral bij warm weer).

1. Het toilet in de “normale” spoelwijze spoelen en 118 ml (4 oz.) vloeibaar biologisch afbreekbaar wasmiddel toevoegen (mag GEEN bleekmiddel of stoffen die schadelijk zijn voor het milieu bevatten). Opmerking: Als u zeewater gebruikt voor het spoelen, de elektriciteit naar de zeewaterpomp uitschakelen en vers water direct in de toiletpot gieten tijdens de spoelcyclus.
2. Het toilet minimaal vijf keer spoelen.

3. Watertoevoer naar toilet uitschakelen.
4. Het toilet zonder water spoelen. Drie keer herhalen. (Deze procedure minimaliseert het resterende water in de versnijdingspomp.)
5. De stroom naar het toilet uitschakelen.

Als het systeem bloot komt te staan aan vriestemperaturen, volgt u de bovenstaande procedure en maakt vervolgens het systeem winterklaar, zoals hieronder beschreven.

7.4 Klaarmaken voor de winter

Aan het einde van het seizoen moet het Dometic-toilet met versnijdingspomp winterklaar worden gemaakt voor de opslag met een drinkwaterveilig antivriesmiddel (als de boot of het voertuig blootstaat aan vriestemperaturen).



Opmerking

Niet-giftig antivriesmiddel voor drinkwatersystemen gebruiken. (Handleiding voor zeeschip- of voertuigeigenaren.)



Waarschuwing

Nooit antivriesmiddel voor auto's in verswatersystemen gebruiken.

ONDER DRUK STAAND VERSWATERSYSTEEM

1. De drinkwatertank en vuilwatertank legen.
2. Antivries voor vers water toevoegen aan de drinkwatertank.
3. Mengsel van antivries voor drinkwater en water door het/de toilet(ten) en het volledige systeem spoelen, inclusief de vuilwatertank, keerklepverbindingen, afvoerpompen etc. De stroom naar het toilet uitschakelen.

Iedere installatie is verschillend, dus kunnen de hoeveelheden verschillen. Voor een adequate bescherming is het oordeel van de gebruiker vereist.

SYSTEEM MET ONGEZUIVERD WATER

Benodigde onderdelen:

- slang die geschikt is voor aansluiting op de pomp voor ongezuiverd water met een lengte van ongeveer 1 m
 - één container
1. De inlaat- en uitlaatbuitenboordkranen sluiten. Zie het risico voor overstroming in deze handleiding.
 2. Stroom naar toilet uitschakelen.
 3. Inlaatslang en filters in leidingen eraf halen en legen.
 4. De slang naar de inlaat van de pomp voor ongezuiverd water aansluiten.
 5. Slang die is aangesloten op de pompinlaat in een emmer gevuld met antivries plaatsen.
 6. De elektriciteit naar het toilet aansluiten en spoelen tot het antivries uit het toilet is verwijderd.
 7. De elektriciteit naar het toilet verbreken en alle inlaat- en afvoerslangen weer aansluiten.

8 Verhelpen van storingen

Probleem	Mogelijke oorzaak	Serviceaanwijzing
1. Toiletspoeling is in orde, maar de toiletpot leegt langzaam of helemaal niet.	<ul style="list-style-type: none"> a. Afvoerbuīs is geklemd of geknikt. b. Afvoerbuīs te hoog. (Denk eraan dat alle naar boven lopende verticale lussen in totaal niet hoger mogen hangen dan 9,8 voet (3 m). c. De versnijdingspomp of de afvoerbuīs is geblokkeerd. 	<ul style="list-style-type: none"> a. Afvoerbuīs controleren. b. Afvoerbuīs anders leggen. c. Buitenboordkranen sluiten en blokkering verwijderen.
2. Versnijdingspomp maakt ongebruikelijk harde geluiden of werkt met schokken.	<ul style="list-style-type: none"> a. Vreemde stoffen in pompkamer. 	<ul style="list-style-type: none"> a. Buitenboordkranen sluiten en vreemde stof verwijderen.
3. Spoelcyclus wordt niet geactiveerd nadat op de spoelknop wordt gedrukt.	<ul style="list-style-type: none"> a. Vuilwatertank is vol en het signaal van de tank heeft de elektriciteit naar het toilet uitgeschakeld. b. Elektriciteit naar het toilet is uitgeschakeld of gestoord. c. Spoelknop werkt niet goed. d. Schakelbord in regelmodule werkt niet goed. 	<ul style="list-style-type: none"> a. Vuilwatertank legen. b. Bedrading en stroomonderbrekers (of zekeringen) controleren. c. Spoelknop vervangen. d. Regelmodule vervangen.
4. Er komt onvoldoende of helemaal geen water in de toiletpot.	<ul style="list-style-type: none"> a. Watertoevoerleiding is geklemd of geknikt. b. Zeef in waterklep is geblokkeerd. c. Inlaatwaterfilters zijn geblokkeerd (in systeem met ongezuiverd water). d. Water valve is malfunctioning. 	<ul style="list-style-type: none"> a. Watertoevoerleiding controleren. b. Blokkering bij waterklep verwijderen. c. Waterfilters vrijmaken. d. Waterklep vervangen.

9 Garantie en Productaansprakelijkheid

Europa:

Garantie

De garantieaanspraken voldoen aan de Europese richtlijn 1999/44/EG en de normale geldende vereisten in het betreffende land. Voor garantie of andere services neemt u contact op met onze Dometic/Waeco serviceafdeling die in deze handleiding is genoemd. Schade die is veroorzaakt door onjuist gebruik valt niet onder de garantie.

De garantie vervalt als er wijzigingen aan het product zijn aangebracht of als er geen originele Dometic-onderdelen zijn gebruikt. De garantie is niet van toepassing als de aanwijzingen in de installatie- en bedieningshandleidingen niet zijn nageleefd. In deze gevallen wordt er geen aansprakelijkheid geaccepteerd.

Productaansprakelijkheid

De productaansprakelijkheid van de Dometic-groep en de daaronder vallende ondernemingen geldt niet voor schade die veroorzaakt is door: verkeerd gebruik, niet correcte wijzigingen of ingrepen in de uitrusting, nadelige invloeden uit de omgeving die van invloed zijn op de apparatuur zelf of apparaten of personen in de directe omgeving.

Om gebruik te maken van de garantieservice dient u eerst contact op te nemen met uw lokale verkoper, van wie u het product hebt gekocht of u gaat naar dometic.com om een verkoper bij u in de buurt te zoeken.

10 Klatenservice

Er bestaat een sterk, wereldwijd netwerk om u te ondersteunen bij de service voor en het onderhoud van uw sanitaire systeem. Voor het bevoegde servicecenter bij u in de buurt kunt u tussen 8.00 en 17.00 uur (ET), van maandag tot vrijdag bellen.

U kunt ook contact opnemen of uw dealer vragen om contact op te nemen met de onderdelendistributeur in uw buurt voor een snelle reactie op uw vraag naar onderdelen. Zij beschikken over een complete voorraad van de Dometic-productlijn.

Telefoon:	1 800-321-9886 330-439-5550	VS en Canada Internationaal
Fax:	330-496-3097 330-439-5567	VS en Canada Internationaal
Web site:	Dometic.com	

Indice

IT

1	Indicazioni sull'uso del manuale	48
2	Indicazioni generali di sicurezza	48 - 49
3	Uso conforme alla destinazione	49
4	Componenti	50
5	Specifiche	50 - 51
6	Funzionamento	51 - 52
7	Manutenzione e predisposizione invernale	52 - 53
8	Risoluzione dei problemi	54
9	Garanzia e Responsabilità per danno da prodotti	55
10	Servizio clienti	55

1 Indicazioni sull'uso del manuale



Attenzione!

Indicazione di sicurezza: la mancata osservanza delle presenti istruzioni può causare danni materiali e compromettere il funzionamento del dispositivo.



Nota

Ulteriori informazioni sull'uso del dispositivo.

fig. 1 A, pagina 2 : si riferisce a un elemento in una illustrazione. In questo caso, alla voce A nella figura 1 a pagina 2.

2 Indicazioni generali di sicurezza

Il produttore non è da ritenersi responsabile in caso di reclami per danni che risultano dalle seguenti cause:

- Montaggio o collegamento errato
- Danni all'unità dovuti a cause meccaniche
- Modifiche effettuate all'unità senza previo permesso scritto da parte del produttore
- Uso per scopi diversi rispetto a quanto riportato nel presente manuale

2.1 Avvertenze: applicazioni nel settore nautico

Prima dell'installazione, della manutenzione e/o della messa in funzione del prodotto su un'imbarcazione è necessario leggere e comprendere bene le seguenti istruzioni. Modifiche apportate al presente prodotto possono causare danni materiali.

Dometic raccomanda di far eseguire l'installazione o la manutenzione del prodotto da parte di un tecnico/elettricista nautico qualificato. Un'installazione non corretta può causare danni all'attrezzatura, lesioni e perfino la morte del personale nautico. DOMETIC NON SI ASSUME LA RESPONSABILITÀ PER DANNI ALL'ATTREZZATURA O PER IL FERIMENTO O LA MORTE DEL PERSONALE IN SEGUITO AD UN'INSTALLAZIONE, MANUTENZIONE O MESSA IN FUNZIONE ERRATA DEL PRESENTE PRODOTTO.



Attenzione! Rischio di allagamento!

Se il WC è collegato a QUALSIASI raccordo passascafo, chiudere SEMPRE i rubinetti di presa a mare quando il WC non viene utilizzato (anche nel caso in cui l'imbarcazione rimanga incustodita per un breve periodo). Tutti i passeggeri DEVONO essere istruiti su come devono essere chiuse le valvole quando il WC non viene utilizzato. La mancata osservanza delle suddette istruzioni può causare allagamento con conseguente rischio di morte o perdita della proprietà.



**Attenzione! Rischio di allagamento!**

Se per il risciacquo il WC impiega acqua dolce e se è collegato direttamente o indirettamente in QUALSIASI momento ad un impianto di alimentazione dell'acqua presente nel porto, i collegamenti con questo impianto DEVONO essere scollegati se l'imbarcazione rimane incustodita (anche per un breve periodo di tempo). La mancata osservanza delle suddette istruzioni può causare allagamento con conseguente rischio di morte o perdita della proprietà.

**Attenzione! Rischio di allagamento!**

Prima di iniziare a svolgere qualsiasi operazione sul presente prodotto, assicurarsi che l'alimentazione elettrica del WC sia disattivata e che i rubinetti di presa a mare siano nella posizione CHIUSO o OFF. La mancata osservanza delle suddette istruzioni può causare allagamento con conseguente rischio di morte o perdita della proprietà.

**Attenzione!**

Il riempimento eccessivo del serbatoio di ritenzione può danneggiare seriamente l'impianto igienico-sanitario causando ad esempio la rottura del serbatoio o la fuoriuscita del contenuto del serbatoio nella sentina. Per evitare un simile rischio, Dometic consiglia di utilizzare il relè di disattivazione per serbatoio "pieno" nel modulo di controllo elettronico del WC. Il segnale di "pieno" del serbatoio di ritenzione viene generato o da un monitor opzionale del serbatoio DTM01C Dometic o dal pannello di controllo a quattro livelli DTM04.

3 Uso conforme alla destinazione

Il WC MasterFlush serie 8100 è un WC a scarico elettrico in cui il materiale di deflusso viene macerato e pompato in un serbatoio di ritenzione o in un altro impianto di raccolta/eliminazione degli effluenti. Grazie all'azionamento mediante pulsante montato a muro, l'utente può aggiungere acqua nel WC (prima o dopo aver azionato lo sciacquone) e scaricarla premendo un pulsante.

3.1 Vantaggi

Risciacquo elettronico vantaggioso. È possibile aggiungere acqua o scaricarla premendo un pulsante.

Scelta fra due sistemi di impostazione del consumo di acqua. Con il risciacquo "normale" si aggiunge acqua nel vaso tenendo premuto il pulsante; la modalità "vaso vuoto" non impiega acqua durante lo scarico, ma aziona esclusivamente la pompa di macerazione.

Installazione versatile. Potente pompa di macerazione che consente di collocare il WC fino a 30 m di distanza dal serbatoio di ritenzione o da qualsiasi altro tubo di scarico o a 3 m al di sotto degli stessi.

Disattivazione automatica a "serbatoio pieno" (installazione opzionale – sono necessari un sistema di controllo del livello del serbatoio e un relè di disattivazione, disponibili separatamente). Se collegato ad un sistema di indicazione del livello del serbatoio di ritenzione, il sistema WC della serie 8100 disattiva l'alimentazione elettrica del WC quando il serbatoio è pieno. Questo sistema di sicurezza evita che il serbatoio di ritenzione possa riempirsi troppo, causando così danni all'imbarcazione.

4 Componenti

(fig. **1**, pagina 2)

Rif.	Descrizione
A	WC di macerazione
B	Pulsante di risciacquo Dometic
C	Cavo elettrico d'ingresso
D	Cavi di uscita (2) verso il WC
E	Cavi d'ingresso (2) dal pulsante di risciacquo
F	Cavi di uscita (2) verso il collegamento di messa a terra
G	Kit hardware per montaggio a pavimento
H	Sagoma per montaggio a pavimento
I	Sagoma per montaggio a muro del pulsante di risciacquo
J	Adattatore per la valvola dell'acqua
K	Raccordo a gomito del flessibile di scarico

(fig. **2**, pagina 2)

Rif.	Descrizione
1	Valvola antisifone
2	Valvola di ritegno
3	Uscita gomito di scarico
4	Adattatore del flessibile di scarico
5	Raccordo rapido del flessibile di scarico
6	Pompa di macerazione
7	Valvola dell'acqua
8	Raccordo della valvola dell'acqua: NPT da 1,27 cm

Per ulteriori informazioni consultare l'elenco completo dei pezzi (fornito separatamente).

5 Specifiche

5.1 Materiali

WC: ceramica vetrosa

Corpo pompa di macerazione: polipropilene rinforzato con fibre di vetro

Pannello di comando Dometic: alluminio verniciato a polveri

5.2 Requisiti minimi dell'impianto

Sistema elettrico	Interruttore	20 amp/12 V DC; 15 amp/24 V DC
	Cavi	12 ga. (fino a 6,1 m/20 piedi di distanza dall'interruttore)
Alimentazione dell'acqua	Raccordo	Tubo dell'acqua flessibile da 13 mm
	Portata	7,6 lpm/2,0 gpm minimi
Scarico	Diametro interno	38 mm (1,5 pollici) o 25 mm (1 pollice) minimi
	Corsa orizzontale	30 m (98 piedi) massimi
	Corsa verticale	3 m (9,8 piedi) massimi

Ci riserviamo il diritto di modificare le specifiche senza preavviso.

5.3 Dimensioni (fig. 3, pagina 2)

Modelli ad altezza standard

Rif.	Dimensioni
A	467 mm (18,375 pollici)
B	375 mm (14,75 pollici)
C	467 mm (18,375 pollici)
D	432 mm (17 pollici), altezza da terra
E	378 mm (14,875 pollici)
F	813 mm (32 pollici), con copriwater sollevato

Modelli ribassati

Rif.	Dimensioni
A	381 mm (15 pollici)
B	375 mm (14,75 pollici)
C	467 mm (18,375 pollici)
D	349 mm (13,75 pollici), altezza da terra
E	356 mm (14 pollici)
F	711 mm (28 pollici), con copriwater sollevato

6 Funzionamento

6.1 Messa in funzione del sistema WC

1. Attivare l'alimentazione d'acqua del WC.
2. Premere il pulsante per il risciacquo (2) e tenerlo premuto per almeno 5 secondi.
3. Gettare diversi fogli di carta igienica nel vaso e ripetere il ciclo. Il vaso deve essere completamente pulito.

6.2 Funzionamento normale del WC

AGGIUNTA DI ACQUA NEL VASO

Premere il pulsante per l'aggiunta d'acqua (1) fino a raggiungere il livello d'acqua desiderato. (Non premere il pulsante per l'aggiunta d'acqua troppo a lungo, altrimenti l'acqua potrebbe fuoriuscire dal vaso.) Generalmente viene aggiunta più acqua quando si tratta di rifiuti solidi.

RISCIACQUO WC

Premere il pulsante per il risciacquo (2) e tenerlo premuto per alcuni secondi dopo che il materiale di deflusso è defluito dal vaso (circa 5 secondi). Il pulsante attiva una potente pompa di macerazione che aspira l'acqua e gli escrementi presenti nel vaso, li macera e li pompa attraverso il tubo di scarico/nel serbatoio di ritenzione. Quando si scaricano esclusivamente liquidi è possibile usare una minore quantità d'acqua premendo il pulsante per il risciacquo meno a lungo.

FUNZIONAMENTO "VASO VUOTO"

In condizioni di viaggio difficili, l'acqua nel vaso potrebbe schizzare all'esterno nella toilette. Per evitare che questo accada, premere il pulsante "vaso vuoto" (3) per far defluire completamente l'acqua dal vaso. Durante o dopo l'attivazione del pulsante "vaso vuoto", non viene aggiunta acqua nel vaso.



Attenzione – Non scaricare residui solidi premendo il pulsante “vaso vuoto”!
Per garantire la pulizia e il funzionamento del WC e della pompa di macerazione, è necessario utilizzare acqua ogni volta che si scarica il vaso.



Attenzione – Non scaricare oggetti estranei!

Azionare lo sciacquone solamente per acqua, rifiuti corporali e carta igienica decomponibile velocemente. Non scaricare salviettine umidificate, assorbenti, preservativi, pannolini, bicchieri di carta, cotton fioc, alimenti, capelli o liquidi come oli o solventi, per evitare che il WC/l'impianto igienico-sanitario si intasi o venga danneggiato.



Nota

Fare in modo che tutti i passeggeri dell'imbarcazione siano a conoscenza del metodo di funzionamento del WC prima di utilizzarlo.

6.3 Funzionamento del WC collegato al relè per la disattivazione a “serbatoio pieno” e per il sistema di controllo del serbatoio

Quando un sistema WC di macerazione utilizza un relè per la disattivazione a “serbatoio pieno”, l'alimentazione del WC viene interrotta quando il serbatoio di ritenzione raggiunge il livello “pieno”. Per riattivare l'alimentazione al WC e consentire il risciacquo del vaso, il serbatoio di ritenzione deve essere svuotato o scaricato finché l'indicatore di livello “pieno” non è più attivo.

7 Manutenzione e predisposizione invernale

7.1 Pulizia del WC

Per fare il modo che WC rimanga lucido come quando era nuovo, utilizzare detergente per WC Domatic o altri detersivi per WC o per bagni non abrasivi. Rispettare le istruzioni indicate sulla confezione.



Attenzione

Per evitare di danneggiare i sifoni interni, evitare di pulire il WC con detersivi abrasivi, prodotti chimici caustici, lubrificanti o detersivi contenenti alcool o distillati del petrolio.

7.2 Manutenzione regolare

MENSILMENTE

1. Ispezionare WC, tubi, collegamenti attraverso tubi, cavi e collegamenti attraverso cavi.
2. Aprire e chiudere tutte le valvole idrauliche, inclusi i rubinetti di presa a mare.
3. Controllare che i filtri dell'acqua in linea e i raccordi a U siano bloccati.

ANNUALMENTE

Controllare il filtro della valvola dell'acqua. Controllare anche il filtro della valvola dell'acqua se il flusso d'acqua nel WC dovesse diventare scarso.

7.3 Durante lunghi periodi di inattività

Se il WC non viene utilizzato per un lungo periodo di tempo (più di due settimane, specialmente in ambienti climatici caldi), è necessario proteggere il WC di macerazione e le tubazioni igienico-sanitarie.

1. Risciacquare il WC nella modalità “Normale” e aggiungere 118 ml (4 once) di detergente liquido per lavanderia biodegradabile (NON deve contenere candeggina o sostanze dannose per l'ambiente). Avviso: se per il risciacquo viene utilizzata acqua di mare, spegnere l'alimentazione elettrica della pompa dell'acqua di mare e aggiungere acqua dolce versandola direttamente nel vaso durante il ciclo di risciacquo.
2. Risciacquare il WC almeno cinque volte.
3. Disattivare l'alimentazione di acqua del WC. *(continua alla pagina successiva)*

4. Risciacquare il WC senza utilizzare acqua. Ripetere l'operazione tre volte (questa procedura riduce la quantità di acqua che potrebbe rimanere nella pompa di macerazione).
5. Spegnerne l'alimentazione elettrica del WC.

Se il sistema viene sottoposto a temperature ai limiti del congelamento, seguire la procedura descritta sopra e predisporre il sistema per l'inverno come descritto di seguito.

7.4 Predisposizione invernale

Alla fine di ogni stagione, il WC di macerazione Dometic deve essere preparato per l'inverno utilizzando antigelo compatibile con l'acqua potabile (se l'imbarcazione o il veicolo dovesse essere soggetto a temperature ai limiti del congelamento).



Nota

Utilizzare antigelo non tossico destinato agli impianti ad acqua potabile (consultare il manuale del proprietario dell'imbarcazione o del veicolo).



Attenzione!

Non utilizzare mai antigelo per autoveicoli negli impianti ad acqua dolce.

IMPIANTO PRESSURIZZATO AD ACQUA DOLCE

1. Svuotare il serbatoio di acqua potabile e il serbatoio di ritenzione.
2. Aggiungere antigelo compatibile con l'acqua dolce al serbatoio dell'acqua potabile.
3. Risciacquare il WC/i WC e l'intero impianto, e anche il serbatoio di ritenuta dei rifiuti, i collegamenti con valvola deviatrice, le pompe di scarico, ecc. utilizzando antigelo compatibile con l'acqua potabile e miscele di acqua. Disattivare l'alimentazione elettrica del WC.

Le quantità possono variare a seconda dell'installazione. L'attenzione da parte dell'utente è fondamentale per assicurare una protezione adeguata dell'impianto.

IMPIANTO AD ACQUA GREZZA

Pezzi necessari:

- Tubo che si adatti alla pompa acqua grezza, 1 m circa di lunghezza
- 1 recipiente

1. Chiudere i rubinetti di presa a mare e di scarico. Consultare i rischi legati al pericolo di allagamento riportati nel presente manuale.
2. Spegnerne l'alimentazione elettrica del WC.
3. Disconnettere e svuotare il tubo di presa e i filtri in linea.
4. Collegare il tubo all'ingresso della pompa acqua grezza.
5. Collocare il tubo collegato all'ingresso della pompa nel recipiente con l'antigelo.
6. Inserire l'alimentazione elettrica del WC e risciacquare finché l'antigelo non è stato completamente rimosso dal WC.
7. Disinserire l'alimentazione elettrica del WC e ricollegare tutti i tubi di presa e di scarico.

8 Risoluzione dei problemi

Problema	Causa possibile	Istruzioni per l'assistenza
1. Il WC scarica correttamente ma il vaso si svuota lentamente o non si svuota affatto.	<ul style="list-style-type: none"> a. Il tubo di scarico è troppo stretto o è piegato. b. Il tubo di scarico è posizionato troppo in alto (ricordarsi che tutti i raccordi verticali non devono avere un'altezza complessiva superiore a 3 m (9,8 piedi). c. La pompa di macerazione o il tubo di scarico è bloccato. 	<ul style="list-style-type: none"> a. Controllare il tubo di scarico. b. Riposizionare il tubo di scarico. c. Chiudere i rubinetti di presa a mare ed eliminare i punti ostruiti.
2. La pompa di macerazione produce un rumore inusuale molto forte o fa continuamente scattare l'interruttore.	<ul style="list-style-type: none"> a. Materiale estraneo nella camera della pompa. 	<ul style="list-style-type: none"> a. Chiudere i rubinetti di presa a mare ed eliminare il materiale estraneo.
3. Il ciclo di risciacquo non si attiva dopo aver premuto il pulsante di risciacquo.	<ul style="list-style-type: none"> a. Il serbatoio di ritenuta è pieno e il segnale proveniente dal serbatoio ha disattivato l'alimentazione elettrica del WC. b. L'alimentazione elettrica del WC è spenta o interrotta. c. Il pulsante di risciacquo non funziona correttamente. d. Il circuito stampato del modulo di controllo non funziona correttamente. 	<ul style="list-style-type: none"> a. Svuotare il serbatoio di ritenzione. b. Controllare il cablaggio e gli interruttori (o i fusibili). c. Sostituire il pulsante di risciacquo. d. Sostituire il modulo di controllo.
4. Flusso d'acqua insufficiente o assente nel vaso.	<ul style="list-style-type: none"> a. Il tubo di alimentazione dell'acqua è troppo stretto o è piegato. b. Filtro della valvola dell'acqua intasato. c. Filtri di aspirazione dell'acqua intasati (negli impianti ad acqua grezza). d. La valvola dell'acqua non funziona correttamente. 	<ul style="list-style-type: none"> a. Controllare il tubo di alimentazione dell'acqua. b. Eliminare i punti in cui la valvola dell'acqua è ostruita. c. Pulire i filtri dell'acqua. d. Sostituire la valvola dell'acqua.

9 Garanzia e Responsabilità per danno da prodotti

Europa:

Garanzia e Servizio clienti

Le disposizioni di garanzia sono conformi alla direttiva CE 44/1999/CE e alle condizioni generali in vigore nel Paese in questione. In caso di informazioni relative alla garanzia o ad altri servizi, contattare il Servizio clienti Dometic/Waeco al recapito riportato in un'altra sezione del presente manuale. Qualsiasi tipo di danno causato da un uso improprio non è coperto da garanzia.

La garanzia non comprende qualsiasi tipo di modifica apportata al prodotto o luso di parti non originali Dometic; inoltre, la garanzia non è valida, e ci non si assume pertanto nessun tipo di responsabilità, nel caso in cui non siano state osservate le istruzioni di installazione e uso.

Responsabilità per danno da prodotti

La responsabilità per danno da prodotti del gruppo Dometic e delle sue filiali non include i danni causati da: cattivo uso; modifiche o interventi impropri all'apparecchiatura; effetti ambientali avversi che possono danneggiare l'apparecchiatura stessa o la diretta vicinanza dell'apparecchiatura o di persone in questa area.

Per usufruire del servizio di garanzia, contattare per prima cosa il proprio rappresentante locale presso il quale è stato acquistato il prodotto o visitare la pagina Web: dometic.com per trovare il rappresentante più vicino.

10 Servizio clienti

Per effettuare la manutenzione del vostro impianto igienico-sanitario è disponibile un'efficiente rete mondiale di assistenza. Per contattare il centro di assistenza autorizzato più vicino, chiamare fra le 8:00 e le 17:00 dal lunedì al venerdì (ET).

Per rispondere velocemente alle vostre richieste di pezzi di ricambio, potete anche contattare o far contattare dal vostro rivenditore locale il distributore di ricambi più vicino, che dispone della serie completa di ricambi della linea di prodotti Dometic.

Telefono:	1 800-321-9886 330-439-5550	U.S.A. e Canada Linea internazionale
Fax:	330-496-3097 330-439-5567	U.S.A. e Canada Linea internazionale
Sito web:	Dometic.com	

Sisällysluettelo

FI

1	Käsikirjan käyttöä koskevia huomautuksia	56
2	Yleiset turvallisuusohjeet	56 - 57
3	Käyttötarkoitus	57
4	Komponentit	58
5	Spesifikaatiot	58 - 59
6	Toiminta	59 - 60
7	Kunnossapito ja talvivarastointi	60 - 61
8	Ongelman etsintä	62
9	Takuu ja Tuotevastuu	63
10	Asiakaspalvelu	63

1 Käsikirjan käyttöä koskevia huomautuksia



Huomio!

Turvallisuusohje: Tämän ohjeen noudattamatta jättäminen voi aiheuttaa materiaalivahinkoja ja haitata laitteen toimintaa.



Huomautus

Lisätietoja laitteen käytöstä.

kuva 1 A, sivu 2 : Tämä viittaa kuvassa näkyvään kohteeseen. Tässä esimerkissä kohteeseen A kuvassa 1 sivulla 2.

2 Yleiset turvallisuusohjeet

Valmistaja ei ole vastuussa vahingonkorvausvaateista, jotka johtuvat seuraavista syistä:

- Väärä asennus tai liitäntä
- Yksikön vahingoittuminen mekaanisten vaikutusten takia
- Laitteeseen ilman valmistajan nimenomaista kirjallista lupaa tehdyt muutokset
- Käyttö muihin kuin tässä käsikirjassa osoitettuihin tarkoituksiin

2.1 Varoituksia – Venesovellukset

Seuraavat tiedonannot täytyy lukea ja ymmärtää ennen tämän tuotteen asentamista, huoltoa ja/tai käyttämistä veneessä. Muutosten tekeminen tähän tuotteeseen saattaa johtaa materiaalivahinkoihin.

Dometic suosittelee, että tämän tuotteen asentaa ja sen huoltaa pätevät veneteknikko tai -sähkömies. Epäasiallisesta asennuksesta voi aiheutua laitteiston vaurioituminen, henkilökunnan loukkaantuminen tai kuolema. DOMETIC EI OTA MITÄÄN VASTUUTA TAI KORVAUSVELVOLLISUUTTA LAITTEISTON VAURIOITUMISESTA TAI HENKILÖSTÖN LOUKKAANTUMISESTA TAI KUOLEMASTA, JOKA AIHEUTUU TÄMÄN LAITTEEN EPÄASIALLISESTA ASENNUKSESTA, HUOLLOSTA TAI KÄYTÖSTÄ .



Huomio! Tulvimisvaara!

Jos wc liitetään YHTEENKÄÄN rungon lävistävään liittimeen, sulje AINA runkoventtiilit, kun wc:tä ei käytetä (silloinkin, jos vene on hetken ilman valvontaa). Kaikille matkustajille TÄYTYY antaa ohjeet siitä, miten venttiilit suljetaan, kun wc ei ole käytössä. Jos et tee näin, seurauksena voi olla veneen täytyminen vedellä sekä omaisuuden ja hengen menetys.



**Huomio! Tulvimisvaara!**

Jos wc:ssä käytetään huuhteluun puhdasta vettä ja se on MILLOINKAAN liitettynä suoraan tai epäsuoraan sataman kunnalliseen vesijohtoverkkoon, sataman vesiliitännät TÄYTYY irrottaa, jos vene on vailla valvontaa (silloinkin, jos vene on vain hetken vailla valvontaa). Jos et tee näin, seurauksena voi olla veneen täyttyminen vedellä sekä omaisuuden ja hengen menetys.

**Huomio! Tulvimisvaara!**

Ennen kuin aloitat mitään työtä tämän tuotteen parissa, varmista, että laitteen kaikki sähkösyötöt on kytketty pois päältä ja että runkoventtiilit ovat KIINNI- tai POIS-asennossa. Jos et tee näin, seurauksena voi olla veneen täyttyminen vedellä sekä omaisuuden ja hengen menetys.

**Huomio!**

Keräyssäiliön ylitäyttämisen voi aiheuttaa saniteettijärjestelmään vakavia vaurioita kuten keräyssäiliön halkeamisen ja säiliön sisällön valumisen pilssiveteen. Tämän mahdollisuuden poissulkemiseksi, Dometic suosittelee säiliö "täynnä" -katkaisurelettä wc:n elektroniseen ohjausmoduuliin. Keräyssäiliön "täynnä"-signaali voidaan luoda optiona saatavissa olevalla Dometic DTM01 C-säiliömittarijärjestelmällä tai nelitasoisella DTM04-säiliömittarijärjestelmällä.

3 Käyttötarkoitus

Dometic 8100-sarjan MasterFlush-wc on sähkötoimisesti huuhdeltava wc, joka silppuaa jätteen ja pumpppaa sen keräyssäiliöön tai muuhun jäteveden varastointi-/hävitysjärjestelmään. Seinään asennetun huuhtelukytkimen avulla ohjattava wc sallii käyttäjän lisätä vettä pyttyyn (ennen huuhtelua tai sen jälkeen) ja huuhdella wc:n nappia painamalla.

3.1 Edut

Mukava sähköinen huuhtelu. Lisää vettä tai huuhtele napin painalluksella.

Valittavissa kaksi vedenkäyttöasetusta. "Normaali" huuhtelu lisää vettä pyttyyn, kun painiketta painetaan; "Kuiva pytty" ei käytä vettä huuhtelun aikana – se ainoastaan käyttää silppuripumppua.

Monta asennusmahdollisuutta. Tehokas silppuripumppu sallii wc:n sijoittamisen jopa 30 m päähän keräyssäiliöstä tai muusta poistoputkesta tai 3 m sen tason alapuolelle.

Automaattinen "säiliö täynnä"-katkaisu (asennus optiona - tarvitaan säiliötasomittari ja katkaisurele. Saatavissa erikseen). Keräyssäiliön täyttötason ilmaisinjärjestelmään liitettynä 8100-sarjan wc-järjestelmä katkaisee wc:n sähkönsyötön, kun keräyssäiliö on täynnä. Tämä turvaominaisuus estää keräyssäiliön ylitäyttämisen, joka saattaisi aiheuttaa veneeseen vaurioita.

4 Komponentit

(kuva. 1, sivu 2)

Sel.	Kuvaus
A	Silppuripumppu-wc
B	Dometic-huuhtelukytkin
C	Sähkön syöttöjohto
D	Lähtöjohdot (2) wc:hen
E	Syöttöjohdot (2) huuhtelukytkimestä
F	Lähtöjohdot (2) maaliitäntään
G	Lattia-asennuksen laitteistosarja
H	Sähkönsyöttöjohdot raakavesipumppuun (opt.)
I	Lattia-asennuksen sapluuna
J	Vesiventtiin adapteri
K	Tyhjennyksen kulmaliitin

(kuva. 2, sivu 2)

Sel.	Kuvaus
1	Lappoventtiili
2	Takaiskuventtiili
3	Tyhjennyssilmukan lähtö
4	Tyhjennyksen sovituskappale
5	Tyhjennysletkun liitin
6	Silppuripumppu
7	Vesiventtiili
8	Vesiventtiin - 0,5 tuuman NPT

Katso lisätietoja täydellisestä osalistasta (pakattu erikseen).

5 Spesifikaatiot

5.1 Materiaalit

Wc: lasitettu keramiikka

Silppuripumpun runko: lasitattu polypropyleeni

Dometic-huuhtelukytkimen paneeli: jauhepinnoitettu alumiini

5.2 Järjestelmän vähimmäisvaatimukset

Sähköinen	Katkaisin	20 A/12 V DC; 15 A/24 V DC
	Johdotus	12 gallonaa (jopa 6,1 m/ 20 jalkaa katkaisimesta)
Vesisyöttö	Liitin	Joustava vesiputki 13 mm sisähalkaisijalla
	Virtaus	minimi 7,6 litraa minuutissa/2,0 gallonaa minuutissa
Paine	Sisähalkaisija	minimi 38 mm/1,5 tuumaa tai 25 mm/1 tuumaa
	Vaakasuora kulku	maksimi 30 m/98 jalkaa
	Pystysuora kulku	maksimi 3 m/9,8 jalkaa

Oikeus spesifikaatioiden muutoksiin ilman eri huomautusta pidätetään.

5.3 Mitat (kuva. 3, sivu 2)

Standardikorkuiset mallit

Sel.	Mitta
A	476 mm / 18,375 tuumaa
B	375 mm / 14,75 tuumaa
C	476 mm / 18,375 tuumaa
D	432 mm / 17 tuumaa - istuinkorkeus
E	378 mm / 14,875 tuumaa
F	813 mm / 32 tuumaa - istuin kansi ylhäällä

Matalaprofiilimallit

Sel.	Mitta
A	381 mm / 15 tuumaa
B	375 mm / 14,75 tuumaa
C	476 mm / 18,375 tuumaa
D	349 mm / 13,75 tuumaa - istuinkorkeus
E	356 mm / 14 tuumaa
F	711 mm / 28 tuumaa - istuin kansi ylhäällä

6 Toiminta

6.1 Wc-järjestelmän käynnistys

1. Käännä wc:n vesisyöttö päälle.
2. Paina "huuhtelu"-kytkintä (2) ja pidä se painettuna vähintään viisi sekuntia.
3. Heitä useita paloja vessapaperia pyttyyn ja toista menettely. Pystyn tulisi olla täysin puhdas.

6.2 Wc:n normaali käyttö

VEDEN LISÄÄMINEN WC-PYTTYYN

Paina "lisää vettä"-kytkintä (1) ja pidä se painettuna kunnes haluttu vesimäärä on saavutettu. (Älä painea "lisää vettä"-kytkintä liian pitkään tai muuten pytty voi vuotaa yli.) Enemmän vettä lisätään tavallisesti huuhdeltaessa kiintoaineita.

WC:N HUUHTELEMINEN

Paina "huuhtelu"-kytkin (2) alas ja pidä se painettuna pari sekuntia sen jälkeen kun jäte huuhtoutuu pytystä (noin viisi sekuntia). Tämä kytkin käynnistää voimakkaan silppuripumpun, joka imee veden ja jätteet pytystä, silppuaa ne ja siirtää jäteveden tyhjennysputkea pitkin/keräyssäiliöön. Jotta vettä kuluisi nestemäisten aineiden huuhtelussa vähemmän, paina "huuhtelu"-kytkintä lyhyemmän ajan.

"KUIVA PYTTY"-KÄYTTÖ

Rajun matkanteon aikana pytyssä oleva vesi voi läikkyä ulos kylpyhuoneen alueelle. Tämän tilanteen välttämiseksi paina "kuiva pytty"-kytkintä (3) pytyyn päästämiseksi kokonan tyhjäksi vedestä. Vettä ei lisätä pyttyyn, kun "kuiva pytty"-kytkintä painetaan tai sen jälkeen.



Huomio – Älä huuhtele jätettä "kuiva pytty"-kytkimen avulla!

Wc:n ja silppuripumpun asianmukaisen puhtauden ja toimintakunnon ylläpitämiseksi jokaiseen huuhteluun tulisi käyttää vettä.



Huomio – Älä huuhtele pytystä vieraita esineitä!

Huuhtele vain vettä, eritteitä ja nopeasti hajoavaa wc-paperia. Älä huuhtele kosteuspyyhkeitä, saniteettipyhkeitä, kondomeja, vaippoja, paperimukeja, vanupuikkoja, ruokaa, hiuksia tai nesteitä kuten öljyjä ja liuottimia, koska ne saattavat tukkia wc-järjestelmän tai vaurioittaa sitä.



Huomautus

Varmista, että kaikki vieraat ymmärtävät wc:n käytön ennen sen käyttämistä.

6.3 Wc:n toiminta, kun se on yhdistetty ”säiliö täynnä”-katkaisureleeseen ja säiliömittarijärjestelmään

Kun Dometic 8100 -sarjan silppuripumppu-wc-järjestelmässä on ”säiliö täynnä”-katkaisurele, sähkönsyöttö wc:hen katkaistaan, kun keräyssäiliö saavuttaa tason ”täynnä”. Sähkönsyötön palauttamiseksi huuhtelua varten, keräyssäiliön sisältö täytyy tyhjentää tai sitä täytyy vähentää, kunnes ”täynnä”-säiliöilmaisin ei kytkeydy.

7 Kunnossapito ja talvivarastointi

7.1 Wc:n puhdistaminen

Ylläpitääksesi wc:n alkuperäisessä, loistavassa kunnossaan, käytä Dometic -wc-pytyn puhdistusainetta tai muuta hankaamatonta kylpyhuonealtaille ja wc-pytyille tarkoitettua puhdistusainetta. Ole hyvä ja noudata etiketin ohjeita.



Huomio

Sisätiivisteiden vaurioitumisen välttämiseksi älä puhdistu wc:tä hankausjauheilla, syövyttävillä kemikaaleilla tai voiteluaineilla ja puhdistusaineilla, jotka sisältävät alkoholeja tai öljytisileitä

7.2 Rutiinikunnossapito

KUUKAUSITTAIN

1. Tarkasta wc, putkitukset ja putkituksen liitokset, johdot ja johtoliitokset.
2. Avaa ja sulje kaikki putkituksen venttiilit, myös runkventtiilit.
3. Tarkasta yhdysrakenteiset vesisuodattimet ja tuuletetut silmukat tukosten varalta.

VUOSITTAIN

Tarkasta vesiventtiilin suodatin. Tarkasta vesiventtiilin suodatin myös, jos vesivirtaus wc:hen käy riittämättömäksi.

7.3 Pitkien käyttötaukojen aikana

Silppuripumppu-wc ja saniteettiletkut tulisi suojata, jos wc:tä ei tarvita pitkään aikaan (yli kahteen viikkoon, erityisesti kuumalla säällä).

1. Huuhtele wc ”normaali”-tilassa ja lisää 118 ml (4 unssia) nestemäistä, biologisesti hajoavaa pyykinpesuainetta (sen EI tulisi sisältää valkaisuainetta tai ympäristölle haitallisia aineita).
Huomautus: Jos käytät huuhteluun merivettä, sulje merivesipumpun sähkönsyöttö ja lisää makeaa vettä kaatamalla se suoraan pyttyyn huuhtelujakson aikana.
2. Huuhtele wc vähintään viisi kertaa.
3. Käännä wc:n vesisyöttö pois päältä. *(jatkuu seuraavalla sivulla)*

4. Huuhtelee wc ilman vettä. Toista kolme kertaa. (Tämä menettely minimoi silppuripumppuun jäävän veden määrän.)

5. Kytke wc:n sähkönsyöttö pois päältä.

Jos järjestelmä joutuu allttiiksi pakkaselle, ole hyvä noudata edellistä menettelyä ja talvivarastoi järjestelmä sitten alla kuvatulla tavalla.

7.4 Talvivarastointi

Jokaisen sesongin lopussa Dometic-silppuripumppu-wc tulisi valmistella talvivarastointia varten käyttämällä juomaveteen sopivaa pakkasnestettä (jos vene tai ajoneuvo joutuu allttiiksi pakkaselle).



Huomautus

Käytä myrkytöntä pakkasnestettä, joka on tarkoitettu juomavesijärjestelmiin. (Katso veneen tai ajoneuvon omistajan käsikirjaa.)



Huomio

Älä käytä koskaan autokäyttöön tarkoitettua pakkasnestettä puhdasvesijärjestelmissä.

PAINEISTETTU PUHDASVESIJÄRJESTELMÄ

1. Päästä juomavesisäiliö tyhjäksi ja tyhjennä keräyssäiliö.
2. Lisää puhtaalle vedelle tarkoitettu pakkasnestettä juomavesisäiliöön.
3. Huuhtelee juomavesipakkasnesteen ja veden sekoitus wc:n(-iden) läpi koko järjestelmään, myös jätekeräyssäiliöön, jakoventtiiliiliitoksiin, tyhjennyspumppuihin jne. Kytke wc pois päältä.

Jokainen asennuskokonaisuus on erilainen joten määrät saattava vaihdella. Käyttäjältä vaaditaan huolellisuutta riittävän suojauksen varmistamiseksi.

RAAKAVESIJÄRJESTELMÄ

Tarvitavat osat:

- Letku, joka sopii raakavesipumppuun, noin 1 m pitkä
- yksi säiliö

1. Sulje imu- ja tyhjennysrunkoventtiilit. Ks. tulvimisvaaraan liittyvät riskit tässä ohjekirjassa.
2. Kytke wc pois päältä.
3. Irrota ja huuhtelee syöttöletku ja yhdysrakenteiset suodattimet.
4. Yhdistä letku raakavesipumpun sisäänottoon.
5. Aseta pumpun sisäänottoon yhdistetty letku astiaan, jossa on pakkasnestettä.
6. Kytke wc päälle ja huuhtelee, kunnes pakkasneste on poistunut wc:stä.
7. Kytke wc:n sähkönsyöttö pois päältä ja liitä kaikki tulo- ja tyhjennysletkut uudelleen.

8 Ongelman etsintä

Ongelma	Mahdollinen syy	Huolto-ohje
1. Wc huuhtelee oikein, mutta vesi poistuu pytystä hitaasti tai ei lainkaan.	<ul style="list-style-type: none"> a. Tyhjennysputkitus on puristuksessa tai taitteella. b. Tyhjennysputkitus on liian korkea. (Muista, että minkään pystysilmukoiden ei tulisi olla yhteensä yli 3 m (9,8 jalan) korkuisia.) c. Silppuripumppu tai tyhjennysputkitus on tukossa. 	<ul style="list-style-type: none"> a. Tarkasta tyhjennysputkitus. b. Vedä tyhjennysputkitus uuteen paikkaan. c. Sulje runkoventtiilit ja poista tukos
2. Silppuripumppu pitää poikkeuksellisen kovaa ääntä tai laukaisee jatkuvasti suojakytkimen.	<ul style="list-style-type: none"> a. Pumppukammiossa vierasta materiaalia. 	<ul style="list-style-type: none"> a. Sulje runkoventtiilit ja poista vieras materiaali.
3. Huuhtelujakso ei ala huuhtelukyt-kimen painamisesta huolimatta.	<ul style="list-style-type: none"> a. Keräyssäiliö on täynnä ja säiliön antama signaali on katkaissut wc:n sähkösyötön. b. Wc:n sähkönsyöttö on pois päältä tai häiriintynyt. c. Huuhtelukytkimessä on vika. d. Ohjausmoduulin piirilevyssä on vika. 	<ul style="list-style-type: none"> a. Tyhjennä keräyssäiliö. b. Tarkasta johdotus ja katkaisijat (tai sulakkeet). c. Vaihda huuhtelukytkin uuteen. d. Vaihda ohjausmoduuli.
4. Pyttyyn tulee liian vähän tai ei lainkaan vettä.	<ul style="list-style-type: none"> a. Vedensyöttöputki on puristuksessa tai taitteella. b. Vesiventtiilin sihti on tukossa. c. Ottovesisuodattimet ovat tukossa (raakavesijärjestelmässä). d. Vesiventtiilissä on vika. 	<ul style="list-style-type: none"> a. Check water supply line. Tarkasta vedensyöttöputki. b. Poista vesiventtiilin tukos. c. Puhdista vesisuodattimet. d. Vaihda vesiventtiili uuteen.

9 Takuu ja Tuotevastuu

Eurooppa:

Takuu ja asiakaspalvelu

Takuujärjestelyt vastaavat EY-direktiiviä 44/1999/EY ja normaaleja, ehtoja, joita kyseessä olevassa maassa sovelletaan. Käänny takuutapauksissa tai muissa palvelutapauksissa muualla tässä käsikirjassa mainitun Dometic/Waeco-palveluosaston puoleen. Mikään epäasiallisesta käytöstä johtuva vahinko ei kuulu takuun piiriin.

Takuu ei kata mitään tuotteeseen tehtyjä muutoksia tai muiden kuin alkuperäisten Dometic-osien käyttöä; takuu ei ole voimassa eikä mitään velvoitteita ole olemassa, jos asennus- ja käyttöohjeita ei noudateta.

Tuotevastuu

Dometic Groupin ja siihen kuuluvien yritysten tuotevastuu ei käsitä vahinkoja, joiden syynä voi olla: virheellinen käyttö; epäasialliset muutokset laitteeseen tai siihen kajoaminen; haitalliset ympäristövaikutukset, jotka voivat vaikuttaa laitteistoon itseensä tai laitteiston välittömään ympäristöön tai alueella oleviin henkilöihin.

Takuupalvelua saadaksesi käänny ensin sen paikallisen kauppiasi puoleen, jolta hankit tuotteen, tai valitse internet-osoite dometic.com löytääksesi alueeltasi kauppiaan.

10 Asiakaspalvelu

Palveluksessasi on vahva maailmanlaajuinen verkosto, joka avustaa saniteettijärjestelmäsi huoltamisessa ja kunnossapidossa. Käänny lähelläsi olevan valtuutetun huoltokeskuksen puoleen soittamalla puhelimella kello 8:00 - 5:00 (ET) maanantai-perjantai.

Saadaksesi nopeasti tarvitsemasi varaosat, voit myös ottaa yhteyttä lähimpään osatoimittajaasi tai pyytää paikallista myyjääsi tekemään niin. Heillä on täydellinen luettelo kaikista Dometic-tuotteista.

Puhelin:	1 800-321-9886 330-439-5550	U.S.A. ja Kanada Kansainvälinen
Faksi:	330-496-3097 330-439-5567	U.S.A. ja Kanada Kansainvälinen
Verkkosivu:	Dometic.com	

Innehållsförteckning

SV

1	Använda bruksanvisningen	64
2	Allmänna säkerhetsanvisningar	64 - 65
3	Ändamålsenlig användning	65
4	Komponenter	66
5	Specifikationer	66 - 67
6	Användning	67 - 68
7	Underhåll och förberedelser för vintern	68 - 69
8	Åtgärda störningar	70
9	Garanti och Produktansvar	71
10	Kundtjänst	71

1 Använda bruksanvisningen



Varning!

Säkerhetsanvisning: Om inte bruksanvisningen observeras kan material skadas och försämra apparatens funktion.



Observera

tilläggsinformationen för användning av apparaten.

bild 1 A, sidan 2 : Detta avser en detalj i en bild. I detta exempel, komponent A i bild 1 på sidan 2.

2 Allmänna säkerhetsanvisningar

Tillverkaren kan inte hållas ansvarig för krav angående skador som orsakas av följande:

- Felaktig montering eller anslutning
- Skador på enheten från mekanisk påverkan
- Ändringar på enheten utan uttryckligt, skriftligt tillstånd från tillverkaren
- Annan användning än den som beskrivs i bruksanvisningen

2.1 Varningar – användning på båtar

Innan produkten installeras, underhålls och/eller används på en båt ska nedanstående anvisningar läsas och efterföljas noggrant. Ändringar på produkten kan leda till saksador.

Dometic rekommenderar att endast behöriga elektriker/servicetekniker för båtar installerar och underhåller den här utrustningen. Felaktig installation kan leda till skador på utrustningen och till svåra eller livsfarliga skador. **DOMETIC ÖVERTAR INGET ANSVAR FÖR SKADOR PÅ UTRUSTNINGEN, PERSONSKADOR ELLER DÖDSFALL SOM ORSAKATS PÅ GRUND AV FELAKTIG INSTALLATION, ANVÄNDNING ELLER FELAKTIGT UNDERHÅLL AV PRODUKTEN.**



Varning! Risk för översvämning!

Om toaletten är ansluten till SKROVGENOMFÖRINGAR ska bottenventilerna ALLTID stängas när toaletten inte ska användas (även om båten endast under kort tid är utan uppsikt). ALLA som befinner sig ombord måste instrueras om hur man stänger bottenventilerna när toaletten inte används. Om detta inte följs finns det risk för översvämning, det kan leda till livsfarliga situationer och materiella förluster.



**Varning! Risk för översvämning!**

Om färskvatten används för spolning av toaletten och den NÅGON NÅNG är direkt eller indirekt ansluten till det allmänna vattennätet på land, MÅSTE anslutningarna till vattennätet kopplas bort om båten lämnas utan uppsikt (även under kort tid utan uppsikt). Om detta inte följs finns det risk för översvämning, det kan leda till livsfarliga situationer och materiella förluster.

**Varning! Risk för översvämning!**

Innan arbetet med utrustningen påbörjas: kontrollera att strömförsörjningen har stängts av till anläggningen och att bottenventilerna är STÅNGDA resp. i AV-läget. Om detta inte följs finns det risk för översvämning, det kan leda till livsfarliga situationer och materiella förluster.

**Varning!**

Överflyllnad av avloppstanken kan orsaka allvarliga skador på sanitetssystemet; avloppstanken kan spricka och innehållet rinna ut i båtens slag. För att förhindra detta rekommenderar Dometic att "full" tank"-avstängningsreläet används i toalettens kontrollmodul. "Full"-signalen från avloppstanken kan genereras av en Dometic DTM01C tankmonitor eller ett DTM04 4-stegs tankövervakningssystem.

3 Ändamålsenlig användning

Dometic MasterFlush toaletten i 8100-serien är en toalett med elektrisk spolning som finfördelar avfallet och pumpar ut det till en avloppstank eller ett annat avlopps-/förvaringssystem. Den styrs av en väggmonterad spolningsknapp. Det går att fylla på vatten i toalettbehållaren (före eller efter spolning) och spola toaletten med en knapptryckning.

3.1 Fördelar

Komfortabel elektronisk spolning. Vattentillförsel eller spolning med en knapptryckning.

Två olika inställningar för vattenförbrukningen. "Normal" spolning tillför vatten till toalettbehållaren när knappen trycks, "sparspolningen" använder inte vatten utan aktiverar endast maceratorpumpen.

Flexibel installation. Den kraftfulla maceratorpumpen gör det möjligt att placera toaletten på upp till 30 m avstånd från eller 3 m under avloppstanken eller avloppsledningens utlopp.

Automatisk avstängning när tanken är full (tillval – tankövervakningssystem och avstängningsrelä krävs. Anskaffas separat). När utrustningen är ansluten till ett nivåmätningssystem för avloppstanken, stänger toalettssystemet i 8100-serien av strömmen till toaletten när avloppstanken är full. Denna säkerhetsfunktion förhindrar att avloppstanken svämmar över och orsakar skador på båten.

4 Komponenter

(bild **1**, sidan 2)

Ref.	Beskrivning
A	Macerator-toalett
B	Dometic spolningsknapp
C	Elkabel
D	Utgående kablar (2) till toaletten
E	Inkommande kablar (2) från spolningsknappen
F	Utgående kablar (2) till jordanslutning
G	Monteringsatts för montering på golvet
H	Mall för montering på golvet
I	Mall för spolningsknapp på vägg
J	Adapter vattenventil
K	Avloppsböj

(bild **2**, sidan 2)

Ref.	Beskrivning
1	Antisifon ventil
2	Backventil
3	Avloppsutlopp
4	Anslutning för avloppsadapter
5	Anslutning för avloppsslang
6	Maceratorpump
7	Vattenventil
8	Vattenventilens koppling - 0,5 tum NPT

Se den kompletta komponentlistan (separat förpackad) för mer information.

5 Specifikationer

5.1 Materials

Toalett: glasaktig keramik

Marceratorpumpens pumpkropp: glasförstärkt polypropen

Dometic-kontrollpanel spolning: pulverlackerad aluminium

5.2 Minsta systemkrav

Elinstallation	Effektbrytare	20 ampere/12 V DC; 15 ampere/24 V DC
	Kablar	12 ga. (upp till 6,1 m/20 ft. från brytaren)
Vattenförsörjning	Anslutning	13 mm inv. diameter, flexibel vattenledning
	Flöde	minst 7,6 lpm/2,0 gpm
Avlopp	Innerdiameter	minst 38 mm/1,5 in. eller 25 mm/1 in.
	Horisontell dragning	max. 30 m/98 ft.
	Vertikal dragning	max. 3 m/9,8 ft.

Specifikationerna kan ändras utan föregående meddelande.

5.3 Mått (bild 3, sidan 2)

Modeller med standardhöjd

Ref.	Mått
A	467 mm / 18,375 in.
B	375 mm / 14,75 in.
C	467 mm / 18,375 in.
D	432 mm / 17 in. - stolens höjd
E	378 mm / 14,875 in.
F	813 mm / 32 in. - med öppet lock

Modeller med låg profil

Ref.	Mått
A	381 mm / 15 in.
B	375 mm / 14,75 in.
C	467 mm / 18,375 in.
D	349 mm / 13,75 in. - stolens höjd
E	356 mm / 14 in.
F	711 mm / 28 in. - med öppet lock

6 Användning

6.1 Använda toalettssystemet

1. Öppna vattentillförseln till toaletten.
2. Tryck på spolningsknappen (2) och håll den intryckt minst fem sekunder.
3. Släpp ner flera toalettpappersark i toaletten och upprepa proceduren. Behållaren ska nu tömmas helt.

6.2 Normal användning

FYLLA PÅ VATTEN I TOALETTEN

Tryck på knappen för "vattentillförsel" (1) tills önskad vattennivå har nåtts. (Håll inte den här knappen nedtryckt för länge – risk för översvämning.) Vanligtvis tillförs endast mer vatten när fast avfall spolats ut.

SPOLNING

Tryck på spolningsknappen (2) och håll den intryckt några sekunder efter det att avfallet har spolats ut från toalettbehållaren (ung. fem sekunder). Med knappen aktiveras den kraftfulla maceratorpumpen som suger ut avfall och vatten. Avfallet finfördelas av pumpen och transporteras genom avloppsledningen/till avloppstanken. Tryck kortare tid på spolningsknappen för att minska vattenförbrukningen för spolningar med enbart vatten.

SPARSPOLNING

Vid sjögång kan vattnet från toalettbehållaren skvalpa ut i badrummet. För att undvika detta: tryck på knappen för sparspolning (3) för att tömma ut allt vatten ur toalettbehållaren. Det tillförs inget vatten till toalettbehållaren när knappen för sparspolning trycks (inte heller efter det att man tryckt på knappen).



Varning – spola inte ut avfall med knappen för sparspolning!

För att toaletten och maceratorpumpen ska förbli rena och funktionsdugliga ska man använda vatten för varje spolning.



Varning– spola inte ned främmande föremål!

Spola endast ned vatten, avföring och snabbupplösande toalettpapper. Spola inte ned skurdukar, dambindor, kon-domer, blöjor, pappersmuggar, bomullstoppar, matrester, hår eller vätskor som t.ex. olja eller lösningsmedel - risk för att toaletten eller toalettssystemet täpps igen/skadas.



Observera

Förklara alltid för dina gäster hur toaletten ska användas.

6.3 Använda toaletten med ”full tank”-avstängningsrelä och tankövervakningssystem

När ett Dometic macerator-toalettssystem i 8100-serien är anslutet till ett ”full tank”-avstängningsrelä stängs strömmen till toaletten av när avloppstanken är full. För att strömmen ska återställas måste avloppstanken tömmas så att nivåmätaren för ”full tank” inte aktiveras längre.

7 Underhåll och förberedelser för vintern

7.1 Rengöring av toaletten

Använd Dometic toalettreningsmedel eller andra, ej repande badrums- och toalettreningsmedel för att behålla toalettens ursprungliga glänsande yta. Följ nedanstående anvisningar.



Caution

Rengör inte toaletten med repande rengöringsmedel, frätande kemikalier eller vätskor som innehåller alkohol eller petroleumdestillat. Sådana medel kan leda till att tätningarna skadas.

7.2 Regelbundet underhåll

VARJE MÅNAD

1. Kontrollera toaletten, ledningarna och ledningsanslutningarna, kablarna och kabelanslutningarna.
2. Öppna och stäng alla ventiler på ledningssystemet, inklusive bottenventiler.
3. Kontrollera in-line vattenfilter och ventilerade böjar med avseende på blockering.

EN GÅNG OM ÅRET

Kontrollera vattenventilens filter. Kontrollera även vattenventilens filter om vattenflödet till toaletten minskar.

7.3 Om toaletten inte används under längre tid

Om toaletten inte ska användas under längre tid (längre än två veckor, särskilt vid varmt väder) ska macerator-toaletten och sanitetsslangen skyddas.

1. Spola toaletten med normal spolning och tillsätt 118 ml (4 oz.) flytande, biologiskt nedbrytbart tvättmedel (UTAN blekmedel eller miljöskadliga ämnen). Observera: Om havsvatten används för spolning: slå ifrån strömmen till havsvattenpumpen och håll färskvatten direkt i toalettbehållern under spolningen.
2. Spola toaletten minst fem gånger.
3. Stäng av vattentillförseln till toaletten. *(fortsättning på nästa sida)*

4. Spola toaletten utan vatten. Upprepa tre gånger. (På så sätt säkerställer man att det inte blir kvar stora mängder vatten i maceratorpumpen.)
5. Slå ifrån strömmen till toaletten.

Om det finns risk att systemet utsätts för temperaturer under noll grad: följ nedanstående anvisningar och förbered systemet för vintern enligt beskrivningen.

7.4 Förbereda för vintern

Vid slutet av säsongen ska Dometic macerator-toaletten förberedas för vinterförvaring med frostskyddsmedel som är godkänt för dricksvatten (om båten eller fordonet kommer att utsättas för temperaturer under noll grader).



Observera

Använd icke-giftigt frostskyddsmedel som är avsett för dricksvattensystem. (Se instruktionsboken till båten resp. fordonet.)



Observera

Använd aldrig automatiskt frostskydd i färskvattensystem.

TRYCKSATT FÄRSKVATTENSYSTEM

1. Töm dricksvattentanken och avloppstanken.
2. Tillsätt frostskyddsmedel för färskvatten i dricksvattentanken.
3. Spola blandningen av frostskyddsmedel för dricksvatten och vatten genom toaletterna och hela systemet inklusive avloppstank, ventilanslutningar, avloppspump etc. Koppla bort strömmen från toaletten.

Eftersom varje anläggning ser lite annorlunda ut kan mängden variera. Ägaren måste därför tillse att rätt frostskydd används.

RÅVATTENSYSTEM

Nödvändiga delar:

- Slang till råvattenpumpen, ca 1 m lång
- En behållare

1. Stäng inlopps- och bottenventilerna. Se Risk för översvämning i den här bruksanvisningen.
2. Koppla bort strömmen från toaletten.
3. Koppla bort och töm inloppsslangen och in-line filtren.
4. Anslut slangen till råvattenpumpens inlopp.
5. Lagg slangen som är ansluten till inloppet i en hink med frostskyddsmedel.
6. Slå på strömmen till toaletten och spola tills det inte finns något frostskyddsmedel kvar i toaletten längre.
7. Koppla bort strömmen från toaletten och anslut alla inlopps- och avloppsslangar igen.

8 Åtgärda störningar

Problem	Möjlig orsak	Serviceanvisning
1. Spolningen fungerar korrekt men vattnet i toalettbehållaren töms inte ut eller töms ut för långsamt.	<ul style="list-style-type: none"> a. Avloppsledning (slang) klämd eller böjd. b. Avloppsledning (slang) sitter för högt. (De vertikala ledningarna får inte vara högre än totalt 3 m (9.8 feet).) c. Maceratorpumpen eller avloppsledning blockerad. 	<ul style="list-style-type: none"> a. Kontrollera avloppsledningen. b. Justera avloppsledningen. c. Stäng bottenventilerna och avlägsna blockeringen.
2. Maceratorpumpen avger onormalt ljud eller skyddsbrytaren utlöses regelbundet.	<ul style="list-style-type: none"> a. Främmande föremål/material i pumpkammaren. 	<ul style="list-style-type: none"> a. Stäng bottenventilerna och ta bort främmande föremål/material.
3. Spolningen aktiveras inte när spolningsknappen trycks ned.	<ul style="list-style-type: none"> a. Avloppstanken är full och strömmen till toaletten har kopplats bort automatiskt. b. Strömmen har stängts av till toaletten, eller strömavbrott. c. Spolningsknappen fungerar inte. d. Kretskortet i kontrollmodulen fungerar inte. 	<ul style="list-style-type: none"> a. Töm avloppstanken. b. Kontrollera kablarna/anslutningarna och effektbrytarna (eller säkringarna). c. Byt spolningsknapp. d. Byt kontrollmodul.
4. Inget eller för lite vatten kommer in i toaletten.	<ul style="list-style-type: none"> a. Vattenledning klämd eller böjd. b. Filter i vattenventilen blockerat. c. Filter i vatteninlopp blockerade (råvattensystem). d. Vattenventilen fungerar inte riktigt. 	<ul style="list-style-type: none"> a. Kontrollera vattenförsörjningsledningen. b. Avlägsna blockeringen i vattenventilen. c. Rengör vattenfiltren. d. Byt vattenventil.

9 Garanti og Produktansvar

Europa:

Garanti och kundtjänst

Garantiavtalen gäller i överensstämmelse med EU-direktiv 44/1999/EG och de normala villkoren i respektive land. Vid garantianspråk eller annan service, kontakta Dometic/Waeco kundtjänst, kontaktuppgifterna hittar du i denna bruksanvisning. Skador orsakade av felaktig användning innefattas inte av garantin.

Garantin täcker inte ändringar på produkten eller användning av icke-original Dometic-delar; om inte installations- och bruksanvisningen följs noga, gäller inte garantin eller eventuella ansvarsåtaganden.

Produktansvar

Produktansvaret från Dometic Group och deras dotterbolag inkluderar inte skador som orsakas av: felaktig drift; felaktiga förändringar eller felaktigt handhavande av utrustningen; negativa inverkan från omgivningen som kan inverka på själva utrustningen, utrustningens närområde eller personer inom området.

Vid garantianspråk, kontakta först din lokala återförsäljare där du köpte produkten eller gå till dometic.com för att hitta en återförsäljare i din närhet.

10 Kundtjänst

För service och underhåll av sanitetssystemet finns det ett effektivt, våldsomsparande servicenät. Information om närmaste servicetälle erhålls på nedanstående telefonnummer, måndag-fredag, kl. 8:00 till kl. 17:00.

Om du behöver reservdelar, kontakta närmaste reservdelsåterförsäljare, eller be din återförsäljare. Från reservdelsåterförsäljaren erhålls samtliga reservdelar för Dometic produktlinjen.

Telefonnummer:	1 800-321-9886 330-439-5550	U.S.A. och Canada Internationellt
Fax:	330-496-3097 330-439-5567	U.S.A. och Canada Internationellt
Webbsida:	Dometic.com	

Indholdsfortegnelse

DA

1	Henvisninger vedr. brug af vejledningen	72
2	Generelle sikkerhedshenvisninger	72 - 73
3	Korrekt anvendelse	73
4	Komponenter	74
5	Specifikationer	74 - 75
6	Betjening	75 - 76
7	Vedligeholdelse og frostsikring	76 - 77
8	Fejlfinding	78
9	Garanti og Produktansvar	79
10	Kundeservice	79

1 Henvisninger vedr. brug af vejledningen



Forsigtig!

Sikkerhedshenvisning: Manglende overholdelse af denne henvisning kan medføre materiel skade og begrænse apparatets funktion.



Bemærk

Supplerende information om anvendelse af apparatet.

fig. **1 A**, side **2** : Dette henviser til et element på en illustration. I dette eksempel komponent A på figur 1 på side 2

2 Generelle sikkerhedshenvisninger

Producenten er ikke ansvarlig for skadeskrav, som skyldes følgende:

- Forkert montering eller tilslutning
- Beskadigelse af enheden på grund af mekanisk påvirkning
- Ændringer på enheden uden udtrykkelig skriftlig tilladelse fra producenten
- Anvendelse til andre formål end dem, der er beskrevet i driftsvejledningen

2.1 Advarsler – skibsanvendelser

Følgende erklæringer skal læses og forstås, før dette produkt installeres, vedligeholdes og/eller betjenes på en båd. Ændring af dette produkt kan medføre materiel skade.

Dometic anbefaler, at et kvalificeret skibstekniker eller -elektriker installerer eller vedligeholder dette produkt. Ukorrekt installation kan medføre beskadigelse af udstyret, kvæstelse af personer eller død. DOMETIC PÅTAGER SIG INTET ANSVAR FOR BESKADIGELSE AF UDSKYR ELLER KVÆSTELSE AF PERSONER ELLER DERES DØD, SOM KAN SKYLDDES UKORREKT INSTALLATION, VEDLIGEHOLD-ELSE ELLER BETJENING AF DETTE PRODUKT.



Forsigtig! Fare for oversvømmelse

Hvis toiletet er tilsluttet til gennemgående armaturer, skal søventiler ALTID lukke, når toiletet ikke er i brug (selv om båden ikke er under opsyn i en kort periode). Alle passagerer SKAL instrueres i, hvordan ventilerne lukkes, når toiletet ikke er i brug. Hvis dette ikke overholdes, kan det medføre oversvømmelse, som kan medføre tab af materielle værdier eller liv.



**Forsigtig! Fare for oversvømmelse**

Hvis toilettet bruger ferskvand til skylning og er tilsluttet direkte eller indirekte til et kommunalt vandsystem på land på NOGET SOM HELST tidspunkt, SKAL tilslutningerne til vand på land afbrydes, hvis båden ikke er under opsyn (selv om båden ikke er under opsyn i en kort periode). Hvis dette ikke overholdes, kan det medføre oversvømmelse, som kan medføre tab af materielle værdier eller liv.

**Forsigtig! Fare for oversvømmelse**

Før arbejde påbegyndes på dette produkt, skal al strømforsyning til enheden slukkes og søventilerne placeres i positionen LUKKET eller FRA. Hvis dette ikke overholdes, kan det medføre oversvømmelse, som kan medføre tab af materielle værdier eller liv.

**Forsigtig!**

Overfyldning af lagertanken kan medføre alvorlig beskadigelse af sanitetssystemet, som f.eks. at lagertanken brister og lukker tankens indhold ud i bunden. For at undgå denne mulighed anbefaler Dometic at bruge afbrydelsesrelæet for "fuld" tank i toilettets elektroniske styremodul. Signalet "fuld" fra lagertanken kan frembringes af en ekstra tankmonitor Dometic DTM01C eller et tankkontrollsystem DTM04 med fire niveauer.

3 Korrekt anvendelse

MasterFlush-toilettet i serien Dometic 8100 er et elektrisk skyllet toilet, som findeler affald og pumper det til en lagertank eller andet spildevandslager- eller -bortskaffelsessystem. Toilettet betjenes med en vægmonteret skyllekontakt og gør det muligt for brugeren at tilføre vand til kummen (før eller efter skylning) og at skylle toilettet ved at trykke på en knap.

3.1 Fordele

Nem elektronisk skylning. Tilfør vand eller skyl ved at trykke på en knap.

Valg af to vandforbrugsindstillinger. "Normal" skylning tilfører vand til kummen, mens der trykkes på knappen. "Tør kumme" bruger ikke vand under en skylning – den aktiverer kun findelingspumpen.

Fleksibel installation. Kraftig findelingspumpe bevirker, at toilettet kan placeres indtil 30 m fra eller 3 m under lagertanken eller en anden endestation for udledningsledningen.

Automatisk "fuld tank"-afbrydelse (ekstra installation – tankniveauekontrol og afbrydelsesrelæ nødvendig. Leveres separat). Når toiletsystemet i serien 8100 er tilsluttet til et niveauangivelsessystem i en lagertank, afbryder det strømmen til toilettet, når lagertanken er fuld. Denne sikkerhedsfunktion forhindrer overfyldning af lagertanken, hvilket kan medføre beskadigelse på båden.

4 Komponenter

(fig. 1, side 2)

Ref.	Beskrivelse
A	Findelingstoilet
B	Dometic skyllekontakt
C	Elektrisk indgangsledning
D	Udgangsledninger (2) til toilet
E	Indgangsledninger (2) fra skyllekontakt
F	Udgangsledninger (2) til stelforbindelse
G	Materialesæt til gulvmontering
H	Skabelon til gulvmontering
I	Vægskabelon til skyllekontakt
J	Vandventiladapter
K	Udledningstvinkelør

(fig. 2, side 2)

Ref.	Beskrivelse
1	Anti-løfteventil
2	Kontrolventil
3	Udgang for udledningstvinkelør
4	Armaturløst til udledningsadapter
5	Armaturløst til udledningstvinkelør
6	Findelingspumpe
7	Vandventil
8	Vandledning armatur - 0,5 in. NPT

Se komplet reservedelsliste (pakket separat) for yderligere information.

5 Specifikationer

5.1 Materialer

Toilet: Glaseret keramik

Findelingspumpelegeme: Glasfyldt polypropylen

Dometic skyllekontaktpanel: Pulvercoatet aluminium

5.2 Min. systemkrav

Strøm	Brydekontakt	20 ampere/12 V DC; 15 ampere/24 V DC
	Ledningsføring	12 ga. (indtil 6,1 m/20 ft. fra kontakt)
Vandforsyning	Armaturløst	Fleksibel vandledning med 13 mm indv. diameter
	Gennemstrømningshastighed	7,6 lpm/2,0 gpm min.
Udledning	Indv. diameter	38 mm/1,5 in. eller 25 mm/1 in. min.
	Horisontal forskel	30 m/98 ft. maks.
	Vertikal forskel	3 m/9,8 ft. maks.

Specifikationer kan ændres uden varsel.

5.3 Mål (fig. 3, side 2)

Modeller med standardhøjde

Ref.	Mål
A	467 mm / 18,375 in.
B	375 mm / 14,75 in.
C	467 mm / 18,375 in.
D	432 mm / 17 in. - sædehøjde
E	378 mm / 14,875 in.
F	813 mm / 32 in. - sædelåg oppe

Lavprofilmodeller

Ref.	Mål
A	381 mm / 15 in.
B	375 mm / 14,75 in.
C	467 mm / 18,375 in.
D	349 mm / 13,75 in. - seat height
E	356 mm / 14 in.
F	711 mm / 28 in.- seat lid up

6 Betjening

6.1 Opstart af toiletsystemet

1. Åbn vandforsyningen til toilettet.
2. Tryk på kontakten "flush" (2), og hold den nede i mindst fem sekunder.
3. Smid flere stykker toiletteppapir i kummen, og gentag proceduren. Kummen skal tømmes helt.

6.2 Normal betjening af toilettet

TILFØRSEL AF VAND TIL TOILETKUMMEN

Tryk på kontakten "tilfør vand" (1), og hold den nede, indtil det ønskede vandniveau er nået. (Tryk ikke på kontakten "tilfør vand" for længe, da det kan medføre, at vandet løber over.) Der tilføres normalt kun mere vand, når der skylles fast materiale.

SKYLNING AF TOILETTET

Tryk kontakten "skyl" (2) ned, og hold den nede i et par sekunder, efter at affald tømmes fra toiletkummen (ca. fem sekunder). Denne kontakt aktiverer en effektiv findelingspumpe, som løfter vand og affald fra kummen, findeler og transporterer spildevandet gennem udledningsledningen/lagertanken. Tryk på kontakten "skyl" i kortere tid for at bruge mindre vand til skylninger kun med væske.

BETJENING "TØR KUMME"

I perioder med hårdt vejr kan vandet i en toiletkumme sprøjte ud og ind i badeværelsesområdet. Tryk på kontakten "tør kumme" (3) for at tømme vandet fuldstændigt fra toiletkummen, så denne situation undgås. Der tilføres ikke vand til kummen, mens eller efter der trykkes på kontakten "tør kumme".



Forsigtig – skyl ikke affald ud med kontakten "tør kumme"!

For at oprethold ordentlig renhed og betjening af toilettet og findelingspumpen skal vandet anvendes ved hver skylning.



Forsigtig – skyl ikke fremmedlegemer ud!

Skyl kun vand, kropsligt affald og hurtigtopløseligt toilet-papir. Skyl ikke våde servietter, bind, kondomer, bleer, papirbægre, vatpinde, mad, hår eller væsker som f.eks. olie eller opløsningsmidler ud, da det kan medføre tilstop-pelse eller beskadigelse af toilettet eller toiletsystemet.



Bemærk

Sørg for, at alle gæster forstår betjeningen af toilettet før brug.

6.3 Toiletbetjening, når det er tilsluttet til “fuld tank”-afbrydelsesrelæet og tankkontrollsystemet

Hvis et findelingstoiletsystem i serien Dometic 8100 har et “fuld tank”-afbrydelsesrelæ, afbrydes strømmen til toilettet, når lagertankens niveau når “fuld”. For at tilslutte strømmen til toilettet igen for at skylle skal lagertankens indhold tømmes eller udledes, indtil tanksignallampen “fuld” ikke længere lyser.

7 Vedligeholdelse og frostsikring

7.1 Rengøring af toilettet

Anvend Dometic toiletrenser eller andre ikke-abrasive bad- og toiletrenser til at vedligeholde toilettets originale, blanke udseende. Følg anvisningerne på mærkatet.



Forsigtig

Rengør ikke toilettet med abrasive rengøringsmidler, ætsende kemikalier eller smøremidler og rengøringsmidler, der indeholder alkohol- eller petroleumdestillater, så det undgås at beskadige indvendige tætninger.

7.2 Regelmæssig vedligeholdelse

HVER MÅNED

1. Efterse toilet, rør og rørtilslutninger, ledninger og ledningstilslutninger.
2. Åbn og luk alle rørventiler inkl. søventiler.
3. Kontrollér indbyggede vandfiltre og udluftede løkker for blokering.

HVERT ÅR

Kontrollér vandventilfilteret. Kontrollér også vandventilfilteret, hvis vandet, der løber ind i toilettet, bliver utilstrækkeligt.

7.3 I længere periode uden brug

Findelingstoiletet og sanitetsslangerne skal beskyttes, hvis der ikke er brug for toilettet i et længere tidsrum (mere end to uger, især når det er varmt).

1. Skyl toilettet i “normal” modus, og tilføj 118 ml (4 oz.) flydende, biologisk nedbrydeligt vaskemiddel (må IKKE indeholde blegemiddel eller miljøskadelige stoffer). Bemærk: Sluk strømmen til havvandspumpen, hvis der anvendes havvand til skylning, og tilfør ferskvand ved at hælde det direkte i kummen, når der skylles.
2. Skyl toilettet mindst fem gange.
3. Luk vandforsyningen til toilettet. *(fortsættes på næste side)*

4. Skyl toilettet uden vand. Gentag det tre gange. (Denne procedure minimerer resterende vand i findelingspumpen.)
5. Sluk strømmen til toilettet.

Følg proceduren ovenfor, hvis systemet er udsat for frost, og sørg derefter for at frostsikre det som beskrevet nedenfor.

7.4 Frostsikring

Efter afslutningen af hver sæson skal Dometic findelingstoilettet frostsikres til lagring ved at anvende drikkevandsegnet frostvæske (hvis båden eller fartøjet udsættes for frost).



Bemærk

Anvend ugiftig frostvæske, der er beregnet til drikkevandssystemer. (Se ejerens vejledning til båden eller fartøj.)



Forsigtig

Anvend aldrig frostvæske til biler i ferskvandssystemer.

FERSKVANDSTRYKSYSTEM

1. Tøm drikkevandstanken og lagertanken.
2. Tilfør ferskvandsfrostvæske til drikkevandstanken.
3. Skyl blandingen af drikkevandsfrostvæske og vand gennem toilettet(erne) og ind i hele systemet inkl. spildevandstanken, afledningsventilforbindelser, udledningspumper, etc.
Sluk strømmen til toilettet.

Hver installation er forskellig, så mængder kan variere. Brugerens vurdering er nødvendig for at sikre adækvat beskyttelse.

RÅVANDSSYSTEM

Nødvendige dele:

- Slange, som passer til råvandspumpen, ca. 1 m lang
- En beholder

1. Luk indgangs- og udledningssøventilerne. Se risici forbundet med fare for oversvømmelse i denne vejledning.
2. Sluk strømmen til toilettet.
3. Afbryd og tøm indgangsslangen og de indbyggede filtre.
4. Forbind slangen med råvandspumpens indgang.
5. Placér slangen, der er forbundet med pumpeindgangen, i en spand med frostvæske.
6. Tænd strømmen til toilettet, og skyl, indtil frostvæsken er fjernet fra toilettet.
7. Afbryd strømmen til toilettet, og tilslut alle indgangs- og udledningsslanger igen.

8 Fejlfinding

Problem	Mulig årsag	Serviceinstruktion
1. Toiletet skyller korrekt, men vandet i kummen tømmes langsomt eller slet ikke.	<ul style="list-style-type: none"> a. Udledningsrøret er klemt eller knækket. b. Udledningsrøret er for højt. (Husk, at alle opadgående vertikale løkker ikke må overskride en samlet højde på 3 m (9.8 feet).) c. Findelingspumpen eller udledningsrøret er blokeret. 	<ul style="list-style-type: none"> a. Kontrollér udledningsrøret. b. Træk udledningsrøret igen. c. Luk søventilerne, og fjern blokeringen.
2. Findelingspumpen laver usædvanlig kraftig støj eller udløser konstant afbryderen.	<ul style="list-style-type: none"> a. Fremmedlegeme i pumpekammeret. 	<ul style="list-style-type: none"> a. Luk søventilerne, og fjern fremmedlegemer.
3. Skylningen aktiveres ikke, når der trykkes på skyllekontakten.	<ul style="list-style-type: none"> a. Lagertanken er fuld, og signalet fra tanken har afbrudt strømmen til toiletet. b. Strømmen til toiletet er slukket eller afbrudt. c. Der er fejl med skyllekontakten. d. Der er fejl ved printkortet i styremodulet. 	<ul style="list-style-type: none"> a. Tøm lagertanken. b. Kontrollér ledningsføringen og brydekontakterne (eller sikringerne). c. Udskift skyllekontakten. d. Udskift styremodulet.
4. IDer løber ikke nok eller ikke noget vand ind i kummen.	<ul style="list-style-type: none"> a. Vandforsyningsledningen er klemt eller knækket. b. Filteret i vandventilen er blokeret. c. Indgangsvandfiltrene er blokeret (i råvandssystemet). d. Der er fejl ved vandventilen. 	<ul style="list-style-type: none"> a. Kontrollér vandforsyningsledningen. b. Fjern blokeringen ved vandventilen. c. Rengør vandfiltrene. d. Udskift vandventilen.

9 Garanti og Produktansvar

Europa:

Garanti

Garantibetingelser er i overensstemmelse med EF-direktiv 44/1999/EF og de normale gældende betingelser for det pågældende land. Kontakt vores Dometic/Waeco serviceafdeling, der er anført andetsteds i denne vejledning, for garanti eller anden service. Al beskadigelse på grund af ukorrekt brug er ikke dækket af garantien.

Garantien dækker ikke ændringer på produktet eller anvendelse af reservedele, der ikke er originale Dometic-dele; garantien gælder ikke, hvis installations- og driftsinstruktionerne ikke er fulgt, og der tages intet ansvar.

Produktansvar

Produktansvaret for Dometic Group og datterselskaber omfatter ikke skader som følge af: Forkert betjening, ukorrekte ændringer eller indgriben i udstyret; uheldige påvirkninger fra miljøet, som kan påvirke udstyret selv, udstyrets direkte omgivelser eller personer i området.

Kontakt først den lokale forhandler, hvor dette produkt blev købt for at få garantiservice, eller gå til dometic.com for nærmeste forhandler.

10 Kundeservice

Der er et stærkt netværk i hele verden til at hjælpe ved service og vedligeholdelse af dit sanitetssystem. Ring til det autoriserede servicecenter i nærheden af dig fra kl. 8.00 til kl. 17.00 fra mandag til fredag.

Du kan også kontakte eller få din lokale forhandler til at kontakte den nærmeste reservedelsdistributør, så du hurtigt får svar på dit behov for erstatningsdele. De har et fuldstændigt katalog for Dometic-produktlinjen.

Telefon:	1 800-321-9886 330-439-5550	USA og Canada Internationalt
Fax:	330-496-3097 330-439-5567	USA og Canada Internationalt
Websted:	Dometic.com	

Innhold

NO

1	Merknader om bruk av håndboken	80
2	Generelle sikkerhetsanvisninger	80 - 81
3	Tiltentkt bruk	81
4	Komponenter	82
5	Spesifikasjoner	82 - 83
6	Drift	83 - 84
7	Vedlikehold og frostbeskyttelse	84 - 85
8	Feilsøking	86
9	Garanti og produktansvar	87
10	Kundeservice	87

1 Merknader om bruk av håndboken



Forsiktig!

Sikkerhetsanvisning: Dersom denne anvisningen ikke overholdes, kan det føre til materielle skader og at funksjonen til enheten svekkes.



Merk

Ekstra informasjon om bruken av enheten.

fig. 1 A, side 2 : Dette refererer til et element i en illustrasjon. I dette eksemplet, element A i figur 1 på side 2.

2 Generelle sikkerhetsanvisninger

Produsenten kan ikke holdes ansvarlig for krav om skadeerstatning som oppstår pga. følgende:

- Feil montering eller tilkobling
- Skade på enheten pga. mekanisk påvirkning
- Endringer på enheten uten tillatelse fra produsenten
- Brukt til andre formål enn de som er beskrevet i bruksanvisningen

2.1 Advarsler – marine bruksområder

Følgende informasjon må leses og forstås før installasjon, service og/eller bruk av dette produktet ombord på båt. Modifisering av dette produktet kan føre til materielle skader.

Dometic anbefaler at en kvalifisert marinetekniker eller elektriker installerer og utfører service på dette produktet. Feil installasjon kan føre til materielle skader, personskader eller også dødsfall. DOMETIC TAR IKKE ANSVAR FOR SKADER PÅ UTSTYR, ELLER PERSONSKADER ELLER DØDSFALL SOM OPPSTÅR PGA. FEIL INSTALLASJON, SERVICE ELLER DRIFT AV PRODUKTET.



Forsiktig! Overløpsfare

Hvis toalettet er koblet til NOEN skroggjennomføringskoblinger, må ALLTID stoppekranene stenges når toalettet ikke er i bruk (selv om båten er uten oppsyn kun for en liten periode). Alle passasjerer MÅ instrueres om hvordan ventilene stenges når toalettet ikke er i bruk. Hvis du ikke gjør dette, kan det føre til oversvømmelse, som igjen kan føre til tap av liv og eiendom.



**Forsiktig! Overløpsfare**

Hvis toalettet PÅ ETT ELLER ANNET TIDSPUNKT bruker ferskvann til skylling og er koblet direkte eller indirekte til et offentlig vannanlegg på land, MÅ tilkoblingene til vannanlegget på land kobles fra hvis båten er uten oppsyn (selv om den er uten oppsyn kun for en liten periode). Hvis du ikke gjør dette, kan det føre til oversvømmelse, som igjen kan føre til tap av liv og eiendom.

**Forsiktig! Overløpsfare**

Før du begynner å arbeide på dette produktet, må du påse at all strøm til enheten er slått av og at stoppekranene er i posisjon STENGT eller AV. Hvis du ikke gjør dette, kan det føre til oversvømmelse, som igjen kan føre til tap av liv og eiendom.

**Forsiktig!**

Dersom lagertanken overfylles, kan det føre til alvorlige skader på sanitærsystemet, som f.eks. brister i lagertanken og at innholdet i tanken renner ut i kimmingen. For å hindre dette, anbefaler Dometic å bruke “full tank”-utkoblingsrelé i toalettets elektroniske kontrollpanel. “Full”-signalet fra lagertanken kan genereres av en ekstra Dometic DTM01C tankovervåking eller DTM04 firenivåers tankovervåkningssystem.

3 Tiltent bruk

Dometic 8100-serien MasterFlush-toaletter er et toalett med elektrisk skylling, som bløter opp avfallet og pumper det over i en lagertank eller annet effluent lagrings-/avfallssystem. Toalettet betjenes med en veggmontert skyllebryter, og lar brukeren tilføre vann i skålen (før eller etter skylling) og skylle toalettet ved å trykke på en knapp.

3.1 Fordeler

Komfortabel elektronisk skylling. Tilfør vann eller skyll ved å trykke på en knapp.

To innstillinger for vannforbruk. “Normal” skylling fyller vann i skålen mens du trykker på knappen; “Tørr skål” bruker ikke vann under en skylling – den betjener bare macerator-pumpen.

Praktisk installasjon. En kraftig macerator-pumpe gjør at toalettet kan monteres opp til 30 m bort eller 3 m under lagertanken eller annen plassering av tømmeledning.

Automatisk “full tank”-utkobling (valgfri installasjon – tanknivåovervåking og utkoblingsrelé er nødvendig. Tilgjengelig separat). Når koblet til et nivåindikatorsystem for lagertank, vil 8100-seriens toalettssystem koble ut strømmen til toalettet når lagertanken er full. Denne sikkerhetsfunksjonen forhindrer at lagertanken blir for full, hvilket ville kunne føre til skader på båten.

4 Komponenter

(fig. **1**, side 2)

Ref.	Beskrivelse
A	Macerator-toalett
B	Dometic skyllebryter
C	Elektrisk tilførselskabel
D	Utgangskabler (2) til toalettet
E	Tilførselskabler (2) fra skyllebryter
F	Utgangskabler (2) til jordkobling
G	Maskinwaresett for gulvmontasje
H	Mal for gulvmontasje
I	Veggmal skyllebryter
J	Vannventil-adapter
K	Albuekobling tømning

(fig. **2**, side 2)

Ref.	Beskrivelse
1	Anti-sifong-ventil
2	Kontrollventil
3	Uttak tømmeøyfe
4	Adapterkobling tømning
5	Slangekobling tømning
6	Macerator-pumpe
7	Vannventil
8	Vannventilkoblingen - 0,5 in. NPT

Se den komplette delelisten (pakket separat) for mer informasjon.

5 Spesifikasjoner

5.1 Materialer

Toalett: sanitærporselen

Macerator-pumpe-del: glassfylt polypropylen

Dometic skyllebryterpanel: pulverbelagt aluminium

5.2 Minimum systemkrav

Elektrisk	Skillebryter	20 amp/12 V DC; 15 amp/24 V DC
	Kabling	12 ga. (opp til 6,1 m fra skillebryter)
Vanntilførsel	Kobling	13 mm ID fleksibel vannledning
	Strømningshastighet	7,6 lpm /2,0 gpm minimum
Tømning	Innvendig diameter	38 mm/ 1,5 in. eller 25 mm/1 in. minimum
	Horisontal føring	30 m/98 ft. maksimum
	Vertikal føring	3 m/9,8 ft. maksimum

Spesifikasjonene kan endres uten varsel.

5.3 Mål (fig. 3, side 2)

Modeller med standard høyde

Ref.	Mål
A	467 mm / 18,375 in.
B	375 mm / 14,75 in.
C	467 mm / 18,375 in.
D	432 mm / 17 in. - setehøyde
E	378 mm / 14,875 in.
F	813 mm / 32 in. - setelukk opp

Lavprofil modeller

Ref.	Mål
A	381 mm / 15 in.
B	375 mm / 14,75 in.
C	467 mm / 18,375 in.
D	349 mm / 13,75 in. -setehøyde
E	356 mm / 14 in.
F	711 mm / 28 in. - setelukk opp

6 Drift

6.1 Opstart av toalettssystemet

1. Slå på vanntilførselen til toalettet.
2. Trykk på "Skylle"-bryteren (2) og hold den inne i minst fem sekunder.
3. Kast flere ark med toalett-papir i skåle og gjenta prosessen. Skålen må være helt tom.

6.2 Normal bruk av toalettet

TILFØRE VANN I TOALETTSKÅLEN

Trykk på bryteren "Tilfør vann" (1) og hold den inne til ønsket vannivå er nådd. (Ikke trykk for lenge på bryteren "Tilfør vann", da det kan gi oversvømmelse.) Det tilføres vanligvis mer vann kun når faste materialer skal skylles ned.

SKYLLE TOALETET

Trykk ned "Skyll"-bryteren (2), og hold den inne i noen få sekunder etter at avfallet er tappet fra toalettskålen (omlag fem sekunder). Denne bryteren aktiverer en kraftig macerator-pumpe som sifongvann og avfall fra skålen, bløtgjør og driver fram effulenta gjennom tømmeledningen/lagertanken. For å bruke mindre vann for bare flytende avfall, trykker du bare kort på "Skyll"-knappen.

"TØRR SKÅL" DRIFT

Ved ujevn kjøring kan vannet i toalettskålen skvette ut og inn på baderommet. For å unngå denne situasjonen trykker du på "Tørr skål"-knappen (3) for å tømme alt vannet ut av toalettskålen. Skålen tilføres ikke vann under eller etter at bryteren "Tørr skål" er trykket.



Forsiktig – Ikke skyll ned avfall med bryteren "Tørr skål"!

For å holde toalettet og macerator-pumpen ren og i god stand, må man bruke vann ved hver skylling.



Forsiktig – ikke skylld ned fremmedlegemer!

Skyll ned kun vann, septik og hurtigoppløselig toalettpapir. Ikke skylld ned våtservietter, sanitærservietter, kondomer, bleier, papirkopper, bomullspinner, mat, hår eller væsker, som f.eks. oljer eller oppløsninger, da det kan oppstå tilstopping eller skader på toalettet eller toalettssystemet.



Merk

Sørg for at alle gjester forstår hvordan toalettet skal brukes.

6.3 Bruk av toalettet når det er koblet til “full tank” utkoblingsrelé og tankovervåkingsystem

Når et macerator toalettssystem i Dometic 8100-serien bruker et “full tank” utkoblingsrelé, kobles strømmen til toalettet ut når lagertanken er full. For å gjenopprette strømmen til toalettet for å skylle, må innholdet i lagertanken tømmes eller slippes ut til “full” tank-indikatoren ikke aktiveres lenger.

7 Vedlikehold og frostbeskyttelse

7.1 Rengjøring av toalettet

For å opprettholde toalettets opprinnelige, skinnende utseende, bruker du Dometic Toilet Bowl Cleaner eller andre ikke slipende rengjøringsmidler for badetrom og toalettsskål. Følg anvisningene på etiketten.



Forsiktig

For å unngå skader på innvendige tetninger, må ikke toalettet rengjøres med slipende rengjøringsmidler, akustiske kjemikalier eller smøremidler og rengjøringsmidler som inneholder alkohol eller petroleumsdestillater

7.2 Vedlikeholdsintervaller

MÅNEDLIG

1. Kontroller toalett, rør og rørtilkoblinger, kabler og kabeltilkoblinger.
2. Åpne og steng alle rørventiler, inkludert stoppekraner.
3. Kontroller integrert vannfilter og luftede sløyfer for blokkeringer.

ÅRLIG

Kontroller vannventilfilter. Kontroller også vannventilfilteret hvis vannstrømningen inn til toalettet blir for dårlig.

7.3 Under lange perioder uten bruk

Macerator-toalettet og sanitærslangene bør beskyttes hvis toalettet ikke skal være i bruk over en lengre periode (mer enn to uker, særlig i varmt vær).

1. Skyll toalettet i “Normal” modus og tilsett 118 ml flytende biologisk nedbrytbart vaskeoppløsning (må IKKE inneholde blekemiddel eller miljøskadelige stoffer). Merk: Hvis du bruker sjøvann til skyllding, må du slå av strømmen til sjøvannspumpen og tilsette ferskvann ved å tømme det direkte opp i skålen under skyllding.
2. Skyll toalettet minst fem ganger.
3. Slå av vanntilførselen til toalettet.

(fortsetter på neste side)

4. Skyll toalettet uten vann. Gjenta tre ganger. (Denne prosedyren vil minimalisere eventuelle rester av vann i macerator-pumpen.)
5. Slå av strømmen til toalettet.

Hvis systemet utsettes for temperaturer under frysepunktet, følger du prosedyren over og beskytt systemet mot frost som beskrevet under.

7.4 Frostbeskyttelse

Ved slutten av hver sesong må Dometic macerator-toalettet beskyttes mot frost før lagring ved å bruke drikkevannssikker frostvæske (hvis båten eller kjøretøyet utsettes for temperaturer under frysepunktet).



Merk

Bruk ikke-giftig frostvæske beregnet på drikkevannssystemer. (Se veiledningen for båten eller kjøretøyet.)



Forsiktig

Bruk aldri frostvæske for bildeer i ferskvannssystemer.

TRYKKSATT FERSKVANNSYSTEM

1. Tapp av drikkevanntanken og tøm lagertanken.
2. Tilsett frostvæske for ferskvann i drikkevanntanken.
3. Skyll blandingen av frostvæske for drikkevann og vann gjennom toalett(ene) og inn i hele systemet, inkludert avfallslagertanken, diverter ventilkoblinger, tømmepumper osv. Slå av strømmen til toalettet.

Hver installasjon er ulik, slik at mengdene kan variere. Vær nøye for å sikre tilstrekkelig beskyttelse.

SYSTEM FOR UBEHANDLET VANN

Nødvendige deler:

- Slange som passer pumpe for ubehandlet vann, ca. 1 m lang
- én beholder

1. Steng stoppekraner for inntak og tømming. Se Overløpsfare i denne håndboken.
2. Slå av strømmen til toalettet.
3. Koble fra og tapp av inntaksslangen og de integrerte filterne.
4. Koble slangen til inntaket til pumpen for ubehandlet vann.
5. Plasser slangen som er koblet til inntaket på pumpen i bøtten med frostvæske.
6. Slå på strømmen til toalettet og skyll til frostvæsken er fjernet fra toalettet.
7. Slå av strømmen til toalettet og koble sammen igjen alle inntaks- og tappeslanger.

8 Feilsøking

Problem	Mulig årsak	Service-instruksjoner
1. Toalettsskyllingen fungerer korrekt, men vannet i skålen tømmes sakte eller ikke i det hele tatt.	<ul style="list-style-type: none"> a. Tømmeslange er i klem eller bøyd. b. Tømmeslange er for høyt opp. (Husk alle vertikale sløyfer oppover, og bør ikke overskride en totalhøyde på 3 m./9,8 ft) c. Macerator-pumpen eller tømmeslange er blokkert. 	<ul style="list-style-type: none"> a. Kontroller tømmeslange. b. Legg tømmeslangen på nytt. c. Lukk stoppekraner og fjern blokkeringen.
2. Macerator-pumpen har en uvanlig høy lyd eller utløser stadig skillebryteren.	<ul style="list-style-type: none"> a. Fremmedlegemer i pumpekammer. 	<ul style="list-style-type: none"> a. Lukk stoppekraner og fjern fremmedlegemer.
3. Skyllingen aktiveres ikke når skillebryteren aktiveres.	<ul style="list-style-type: none"> a. Lagertanken er full og signal fra tanken har slått av strømmen til toalettet. b. Strømmen til toalettet er slått av eller brutt. c. Skillebryteren fungerer feil. d. Kretskort i kontrollpanelet fungerer feil. 	<ul style="list-style-type: none"> a. Tøm lagertanken. b. Kontroller kabling og skillebrytere (eller sikringer). c. Skift skillebryter. d. Skift kontrollpanel.
4. Utilstrekkelig eller ikke noe vann kommer inn i skålen.	<ul style="list-style-type: none"> a. Vanntilførselsslange er i klem eller bøyd b. Filter i vannventilen er blokkert. c. Vannfilter på inntaket er blokkert (i system for ubehandlet vann). d. Vannventilen fungerer feil. 	<ul style="list-style-type: none"> a. Kontroller vanntilførselsslange. b. Fjern blokkeringen ved vannventilen. c. Skyll vannfilter d. Skift vannventil.

9 Garanti og produktansvar

Europa:

Garanti

Garantiordningen er i samsvar med EU-direktiv 44/1999/EC og de normale betingelsene som gjelder for hvert respektive land. For garanti eller annen tjeneste, ta kontakt med vår Dometic/Waeco serviceavdeling som er listet opp et annet sted i denne håndboken. Eventuell skade grunnet feil bruk dekkes ikke av garantien.

Garantien dekker ikke eventuelle endringer som er blitt utført på produktet eller bruken av uoriginale Dometic-deler. Garantien gjelder ikke dersom monteringen og bruksanvisningen ikke følges, og hvis dette ikke følges opphører vårt ansvar.

Produktansvar

Produktansvaret til Dometic-konsernet og dets datterselskaper inkluderer ikke skader som kan oppstå fra: Feil bruk; ikke tillatte endringer eller inngripen i utstyret; ugunstige effekter fra miljøet som kan påvirke selve utstyret eller de direkte omgivelsene til utstyret eller personer i området.

For å få garantiservice, må du først ta kontakt med din lokale forhandler hvor du kjøpte produktet eller se dometic.com for en forhandler nær der du bor.

10 Kundeservice

Vi har et solid, globalt nettverk for å bistå service og vedlikehold av sanitærsystemet ditt. For informasjon om nærmeste autoriserte serviceverksted, kan du ringe fra 08.00 til 17.00 (ET) mandag til fredag.

Du kan også kontakte, eller få din lokale forhandler til å kontakte nærmeste deledistributør for rask respons på din forespørsel om reservedeler. De har komplett utvalg for produktlinjen Dometic.

Telefon:	1 800-321-9886 330-439-5550	USA og Canada Internasjonalt
Fax:	330-496-3097 330-439-5567	USA og Canada Internasjonalt
Web site:	Dometic.com	

GERMANY**Dometic WAECO International GmbH**

Hollefeldstraße 63 · D-48282 Emsdetten

☎ +49 (0) 2572 879-195 · 📠 +49 (0) 2572 879-322

Mail: info@dometic-waeco.de · Internet: www.dometic-waeco.de

AUSTRALIA**Dometic Australia Pty. Ltd.**

1 John Duncan Court

Varsity Lakes QLD 4227

☎ 1800 212121

📠 +61 7 55076001

Mail: sales@dometic-waeco.com.au

AUSTRIA**Dometic Austria GmbH**

Neudorferstraße 108

A-2353 Guntramsdorf

☎ +43 2236 908070

📠 +43 2236 90807060

Mail: info@dometic.at

BENELUX**Dometic Branch Office Belgium**

Zincstraat 3

B-1500 Halle

☎ +32 2 3598040

📠 +32 2 3598050

Mail: info@dometic.be

BRAZIL**Dometic DO Brasil LTDA**

Avenida Paulista 1754, conj. 111

SP 01310-920 Sao Paulo

☎ +55 11 3251 3352

📠 +55 11 3251 3362

Mail: info@dometic.com.br

DENMARK**Dometic Denmark A/S**

Nordensvej 15, Taulov

DK-7000 Fredericia

☎ +45 7558966

📠 +45 75586307

Mail: info@dometic.dk

FINLAND**Dometic Finland OY**

Mestarinie 4

FIN-01730 Vantaa

☎ +358 20 7413220

📠 +358 9 7593700

Mail: info@dometic.fi

FRANCE**Dometic SAS**

ZA du Pré de la Dame Jeanne

B.P. 5

F-60128 Plailly

☎ +33 3 44633525

📠 +33 3 44633518

Mail: vehiculesdeloisirs@dometic.fr

HONG KONG**Dometic Group Asia Pacific**

Suites 2207-11 · 22/F · Tower 1

The Gateway · 25 Canton Road,

Tsim Sha Tsui · Kowloon

☎ +852 2 4611386

📠 +852 2 4665553

Mail: info@waeco.com.hk

HUNGARY**Dometic Zrt. Sales Office**

Kerekgyártó u. 5.

H-1147 Budapest

☎ +36 1 468 4400

📠 +36 1 468 4401

Mail: budapest@dometic.hu

ITALY**Dometic Italy S.r.l.**

Via Virgilio, 3

I-47122 Forlì (FC)

☎ +39 0543 754901

📠 +39 0543 754983

Mail: vendite@dometic.it

JAPAN**Dometic KK**

Maekawa-Shibaura, Bldg. 2

2-13-9 Shibaura Minato-ku

Tokyo 108-0023

☎ +81 3 5445 3333

📠 +81 3 5445 3339

Mail: info@dometic.jp

MEXICO**Dometic Mx, S. de R. L. de C. V.**

Circuito Médicos No. 6 Local 1

Colonia Ciudad Satélite

CP 53100 Naucalpan de Juárez

Estado de México

☎ +52 55 5374 4108

📠 +52 55 5393 4683

Mail: info@dometic.com.mx

NETHERLANDS**Dometic Benelux B.V.**

Ecustraat 3

NL-4879 NP Etten-Leur

☎ +31 76 5029000

📠 +31 76 5029019

Mail: info@dometic.nl

NEW ZEALAND**Dometic New Zealand Ltd.**

Unite E, The Gate

373 Neilson Street

Penrose 1, Auckland

☎ +64 9 622 1490

📠 +64 9 622 1573

Mail: customerservices@dometic.co.nz

NORWAY**Dometic Norway AS**

Østervyveien 46

N-3232 Sandefjord

☎ +47 33428450

📠 +47 33428459

Mail: firmapost@dometic.no

POLAND**Dometic Poland Sp. z o.o.**

Ul. Pulawska 435A

PL-02-801 Warszawa

☎ +48 22 414 3200

📠 +48 22 414 3201

Mail: info@dometic.pl

PORTUGAL**Dometic Spain, S.L.**

Branch Office em Portugal

Rot. de São Gonçalo nº 1 – Esc. 12

2775-399 Carcavelos

☎ +351 219 244 173

📠 +351 219 243 206

Mail: info@dometic.pt

RUSSIA**Dometic RUS LLC**

Komsomolskaya square 6-1

RU-107140 Moscow

☎ +7 495 780 79 39

📠 +7 495 916 56 53

Mail: info@dometic.ru

SINGAPORE**Dometic Pte Ltd**

18 Boon Lay Way 06-140 Trade Hub 21

Singapore 609966

☎ +65 6795 3177

📠 +65 6862 6620

Mail: dometic@dometic.com.sg

SLOVAKIA**Dometic Slovakia s.r.o. Sales Office Bratislava**

Nádražná 34/A

900 28 Ivánka pri Dunaji

☎/📠 +421 2 45 529 680

Mail: bratislava@dometic.com

SOUTH AFRICA**Dometic (Pty) Ltd.****Regional Office****South Africa & Sub-Saharan Africa**

2 Avalon Road

West Lake View Ext 11

Modderfontein 1645

Johannesburg

☎ +27 11 4504978

📠 +27 11 4504976

Mail: info@dometic.co.za

SPAIN**Dometic Spain S.L.**

Avda. Sierra del Guadarrama, 16

E-28691 Villanueva de la Cañada

Madrid

☎ +34 902 111 042

📠 +34 900 100 245

Mail: info@dometic.es

SWEDEN**Dometic Scandinavia AB**

Gustaf Melins gata 7

S-42131 Västra Frölunda

☎ +46 31 7341100

📠 +46 31 7341101

Mail: info@dometicgroup.se

SWITZERLAND**Dometic Switzerland AG**

Riedackerstrasse 7a

CH-8153 Rümlang

☎ +41 44 8187171

📠 +41 44 8187191

Mail: info@dometic.ch

UNITED ARAB EMIRATES**Dometic Middle East FZCO**

P. O. Box 17860

S-D 6, Jebel Ali Freezone

Dubai

☎ +971 4 883 3858

📠 +971 4 883 3868

Mail: info@dometic.ae

UNITED KINGDOM**Dometic UK Ltd.**

Dometic House, The Brewery

Blandford St. Mary

Dorset DT11 9LS

☎ +44 344 626 0133

📠 +44 344 626 0143

Mail: customerservices@dometic.co.uk

USA**Dometic RV Division**

1120 North Main Street

Elkhart, IN 46515

☎ +1 574-264-2131

REVISION A

Form No. 600346375 8/17

©2017 Dometic Corporation