

8

7

6

5

4

3

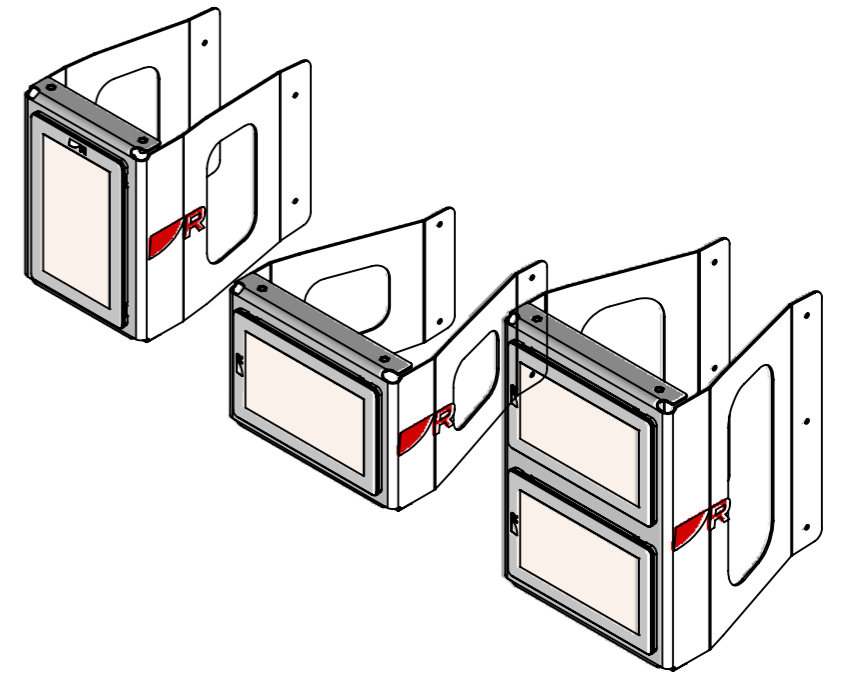
2

1

Single mast bracket tolerances (portrait):
 Minimum and maximum mast tolerances
 Alpha 7: 90 mm (3.54 in) min — 150 mm (5.91 in) max

Single mast bracket tolerances (landscape):
 Minimum and maximum mast tolerances
 Alpha 7: 90 mm (3.54 in) min — 150 mm (5.91 in) max

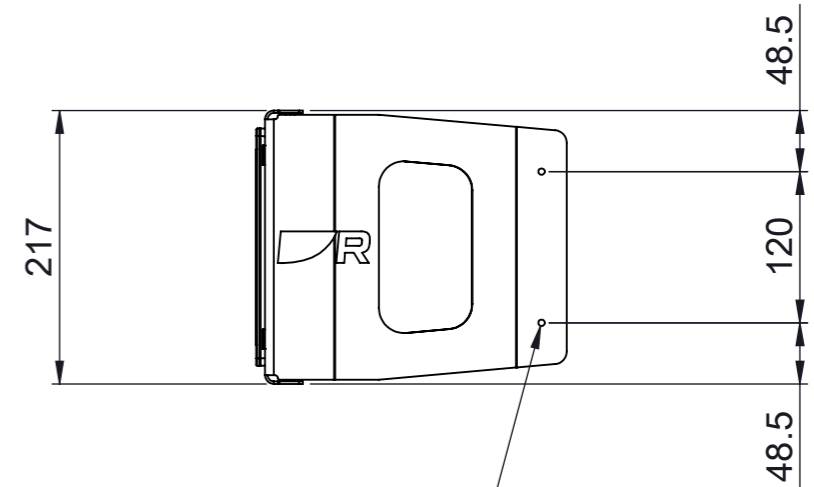
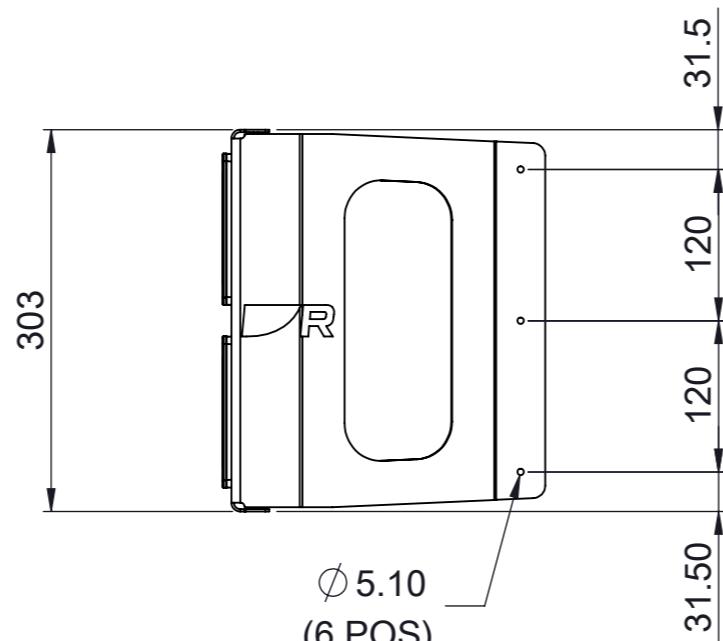
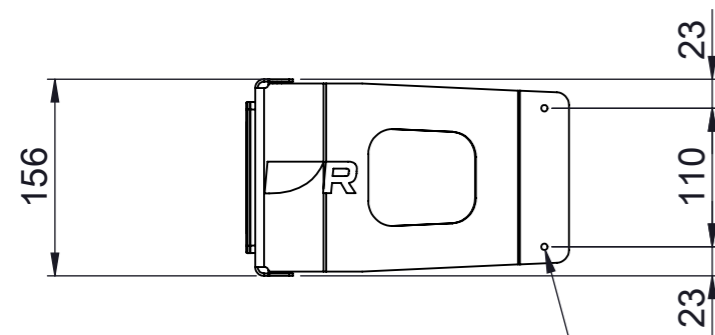
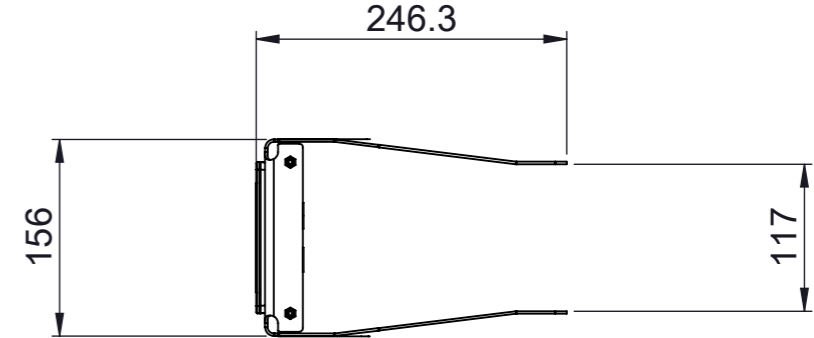
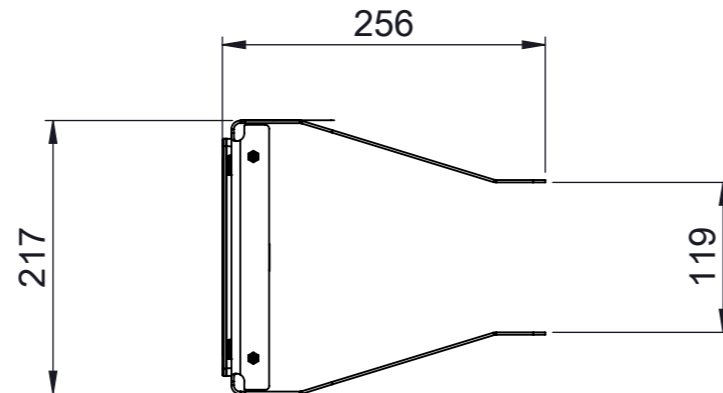
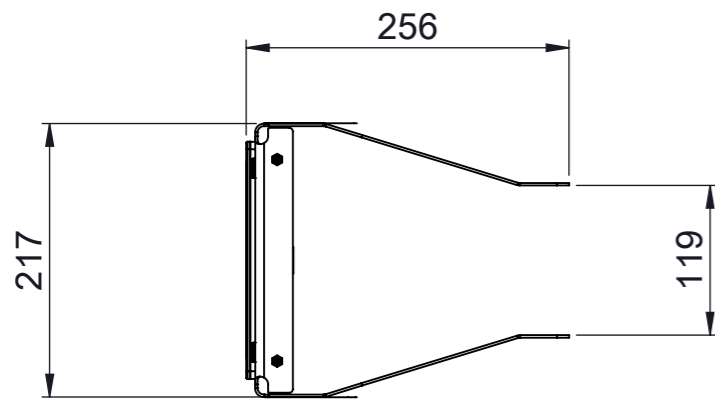
Dual mast bracket tolerances (landscape):
 Minimum and maximum mast tolerances
 Alpha 7: 90 mm (3.54 in) min — 150 mm (5.91 in) max



A80711

A80712

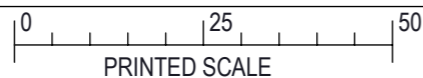
A80713



Raymarine

© 2019 RAYMARINE LTD
Company Confidential

THE INFORMATION CONTAINED HEREIN SHALL NOT BE REPRODUCED WITHOUT THE PRIOR WRITTEN PERMISSION OF RAYMARINE LTD



DRAWN TO BS308



DO NOT SCALE - IF IN DOUBT ASK

DRN:

MA

DATE: 2023-09-28

DIMENSIONS IN MM

SCALE: 1:3

TITLE
A80711_A80712_A80713_7in Mast bracket configs

DRAWING No.
A80711_A80712_A80713_7in Mast bracket configs

8

7

6

5

4

3

2

1