

8

7

6

5

4

3

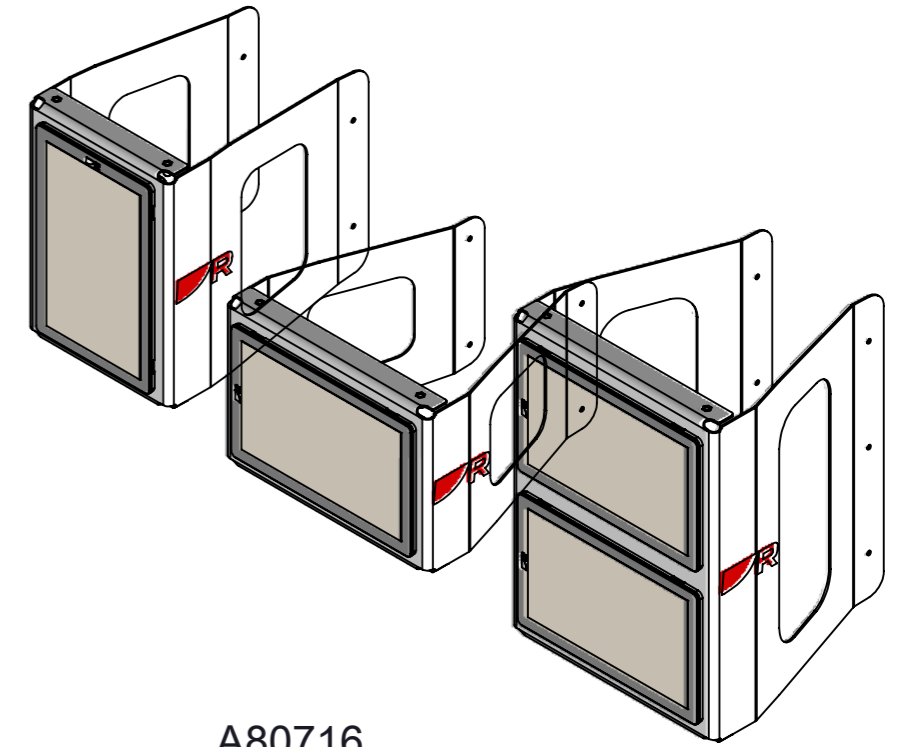
2

1

Single mast bracket tolerances (portrait):
 Minimum and maximum mast tolerances
 Alpha 9: 120 mm (4.72 in) min — 210 mm (8.27 in) max

Single mast bracket tolerances (landscape):
 Minimum and maximum mast tolerances
 Alpha 9: 120 mm (4.72 in) min — 210 mm (8.27 in) max

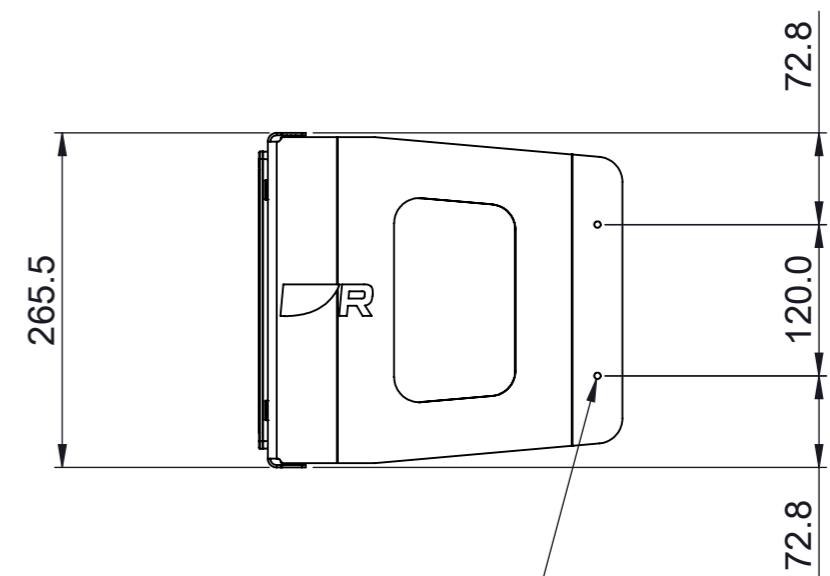
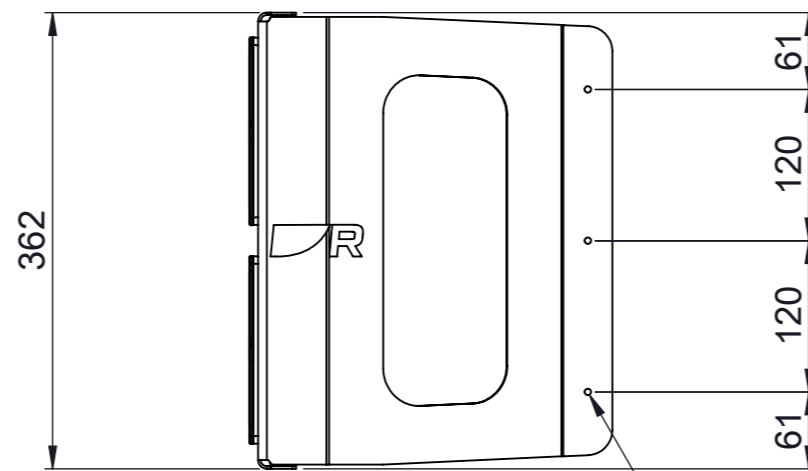
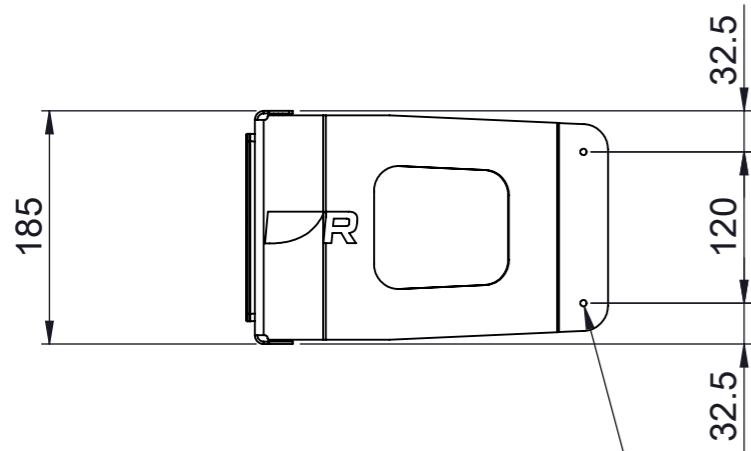
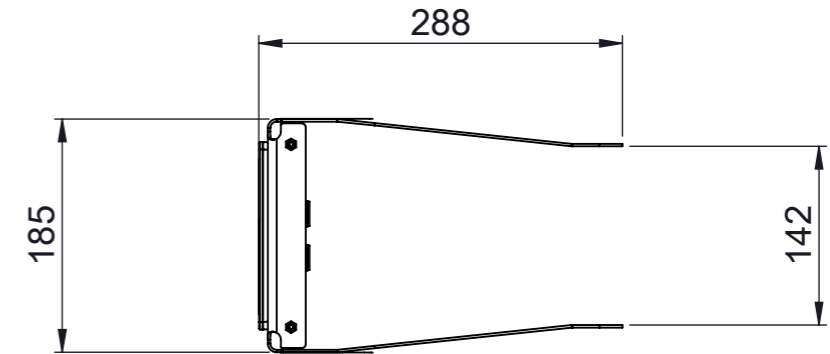
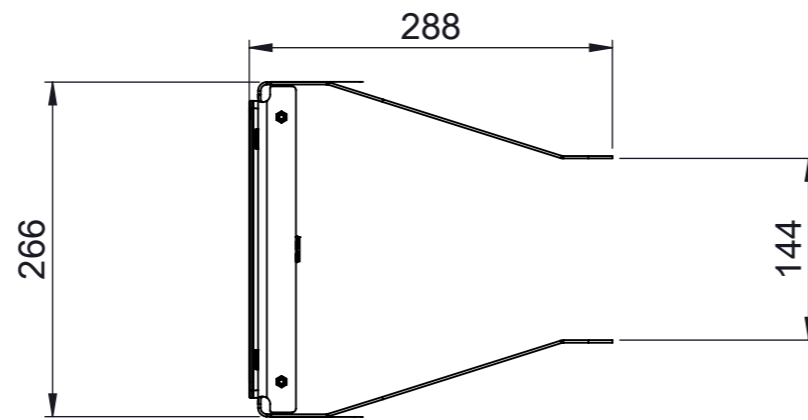
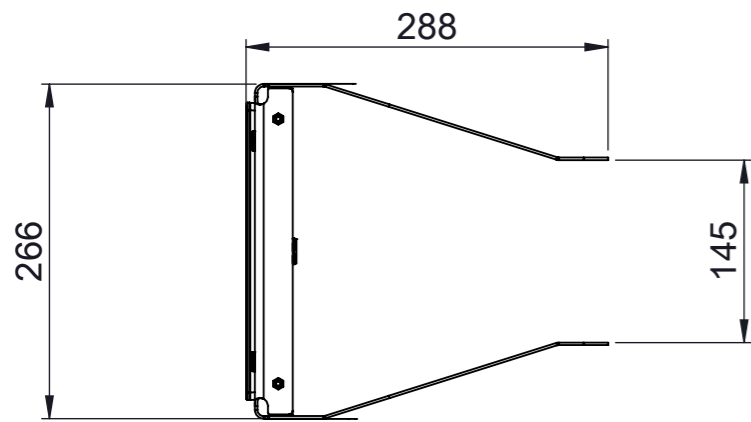
Dual mast bracket tolerances (landscape):
 Minimum and maximum mast tolerances
 Alpha 9: 120 mm (4.72 in) min — 210 mm (8.27 in) max



A80714

A80715

A80716



Ø 5.1
(4 POS)

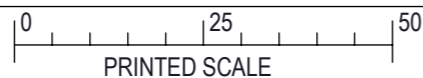
Ø 5.1
(6 POS)

Ø 5.1
(4 POS)

Raymarine

© 2019 RAYMARINE LTD
 Company Confidential

THE INFORMATION CONTAINED HEREIN SHALL NOT BE REPRODUCED WITHOUT THE PRIOR WRITTEN PERMISSION OF RAYMARINE LTD



DRAWN TO BS308



DO NOT SCALE - IF IN DOUBT ASK

DRN: MA

DATE:

SCALE: 1:3

TITLE
 D_9in Smart Inst Disp_ Mast bracket conf

DRAWING No.
 A80714_A80715_A80716_ Mast bracket configs

8

7

6

5

4

3

2

1