

SEAFLO[®]

Electromagnetic Float Switch

Instruction Manual

PROFILE

SEAFLO's Electromagnetic Float Switch offers superior performance over competing float switches. The design's enclosure helps eliminate large debris from reaching the switch mechanism, which is the number one point of failure on traditional switches, in addition, its innovative Electromagnetic design uses a magnetic force to actuate seal failure and water intrusion which is the second most common cause of failure on competing brand's switch. It's unique robust internals also allows this switch to be used for pumps drawing up to 25 Amps. This original design makes this the most reliable float switch readily available on the market today!

FEATURES

- Innovative Electromagnetic Design
- Enclosed Construction Offers Advanced Reliability
- Quick Attach Base Offers Simple Maintenance
- Works with Any Manual Bilge Pump
- Designed for Pumps Up To 25 Amps
- Mercury Free

ELECTRICAL INFORMATION

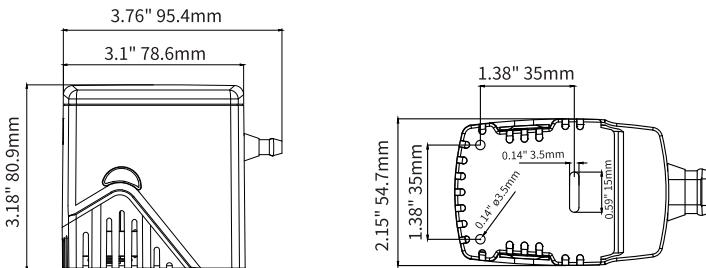
Max Amps: 25A

Wire Length: 1M/39.27"

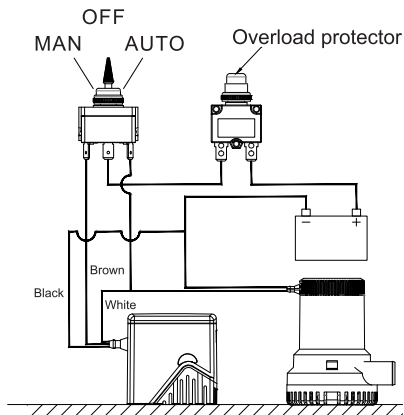
Wire Gauge Size: 14AWG

For Use with 12V, 24V and 32V DC Voltage Only

DIMENSIONS



INSTALLATION



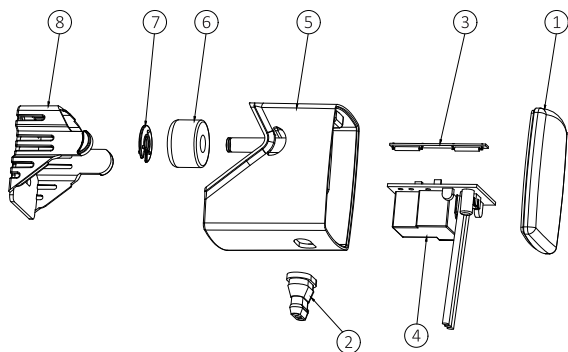
TIPS FOR WIRE CONNECTION

- The float switch should be located at the lowest position in the bilge and mounted with base of switch even or below base of bilge pump. When installing, keep in mind that the black line is connected to the negative pole (-) and the brown and white (pump) connected to the positive pole(+).
- The wire connections must be sealed with a marine sealant.
- Insulation or cable sheathings must be placed above the highest bilge.

Instruction:

- When the bilge water rises the magnet float floats up and the air in the float house is forced out through the vent hole
- The magnet float starts the pump when bilge water reaches 45-50mm(1.77"-1.97"). The valve closes and the magnet float stays in the start position due to vacuum inside the float house.
- When the bilge water has sunk to level 20-25mm(0.79"-0.98"), air is let in through the air opening in the float house. The magnet float falls down and cuts off the power.

REPAIR KITS



Key	Description	Quantity
1	Upper cover	1
2	Seal for wire	1
3	Sensing circuit board	1
4	Main circuit board	1
5	middle cover	1
6	Magnet float	1
7	Float cover	1
8	Under cover filter	1