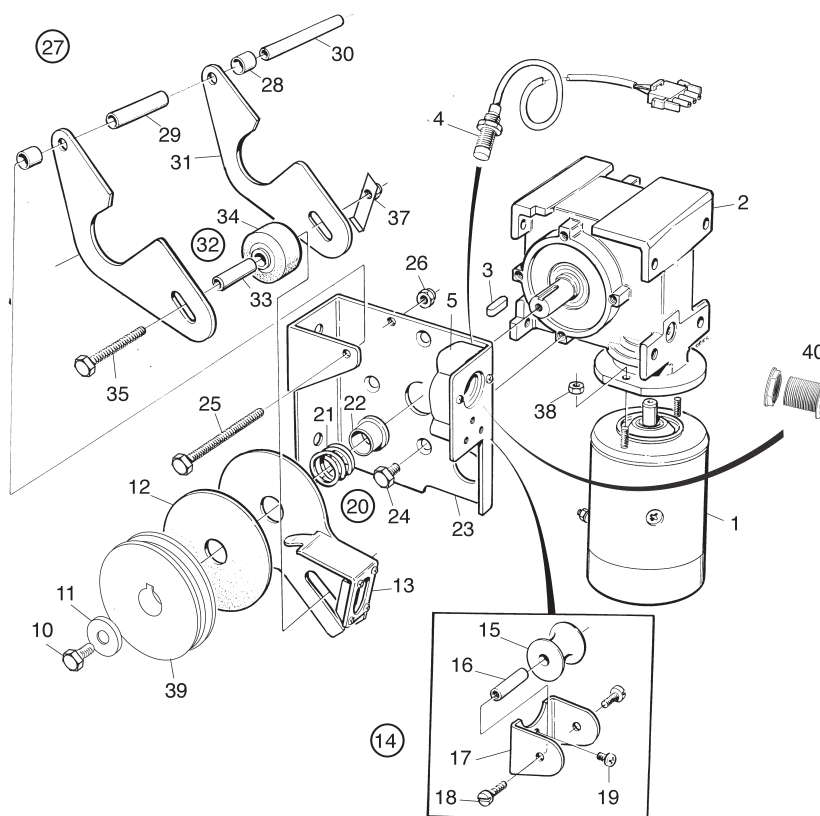


Reservdelar / Spare parts



Reservdelar för ankarlift. / Spare parts for Ankarlift drive unit.

| Position | Antal | Art. nr | Benämning | Set | Anmärkning |
|----------|-------|---------|---|-----|----------------|
| 1 | 1 | 1122 | Elektrisk motor 1000 W, 12 V DC • Detaljer | | |
| 2 | 1 | 1123 | Växel 53:1 • Detaljer | | |
| 3 | 1 | 1124 | Kil 8 x 22 | | |
| 4 | 1 | 1125 | Givare för automatstopp | | |
| 5 | 1 | 1126 | Styrblock för givare | | |
| 39 | 1 | 1127 | Drivhjul komplett, 16 mm | S | |
| 39 | 1 | 1128 | Drivhjul komplett, 14 mm | S | |
| 10 | 1 | 1129 | Bult + bricka M8x16 | | |
| 12 | 1 | 1130 | Lamell | | |
| 13 | 1 | 1131 | Lamell platta rostfri | | |
| 14 | 1 | 1132 | Brytrulle för utvändigt ankarspel | S | |
| 15 | 1 | | • Rulle | | |
| 16 | 1 | | • Bussning | | |
| 17 | 1 | | • Hållare | | |
| 18 | 2 | | • Skruv | | M6 x 10 7985A4 |
| 19 | 3 | | • Skruv | | M5 x 6 84A4 |
| 20 | 1 | 1133 | Tryckfjäder inkl bussning | S | |
| 21 | 1 | | • Fjäder | | |
| 22 | 1 | | • Bussning | | |
| 23 | 1 | 1134 | Gavelplåt | | |
| 24 | 4 | | Skruv | | M8 x 16 963A4 |
| 27 | 1 | 1137 | Rördistanssats | S | |
| 25 | 1 | | Skruv | | M6 x 70 7985A4 |
| 26 | 1 | | Mutter | | M6 |
| 28 | 2 | | • Rördistanser | | |
| 29 | 1 | | • Rördistans | | |
| 30 | 1 | | • Rördistans | | |
| 31 | 2 | 1138 | Ok för tryckrulle | S | |
| 32 | 1 | 1139 | Tryckhjulssats | S | |
| 33 | 1 | | • Bussning | | |
| 34 | 1 | | • Hjul | | |
| 35 | 1 | | Skruv | | M6 x 47 7985A4 |
| 37 | 1 | | Mutter | | M6 Nylock |
| 38 | 2 | | Mutter | | M6 |

Tillbehör

| | | | |
|----|---|------|--------------------------------------|
| | | 1153 | Reläbox |
| | | 1154 | Reläbox, elektronisk |
| | | 1151 | Manöverpanel |
| | | 1152 | Kontrollkabel, 7 m |
| | | 1100 | Fjärrkontroll |
| | | 1200 | Kåpa |
| 40 | 2 | 1155 | Skrovgenomföring |
| | | 1121 | Automatsäkring 100 A |
| | | 1141 | Mässingstråd för givare |
| | | 1140 | Monteringsats 2 x u-plåt inkl bultar |

| Position | Quantity | Part. no | Part | Kit | Note |
|----------|----------|----------|---|-----|----------------|
| 1 | 1 | 1122 | Electric motor 1000 W, 12 V DC • Details | | |
| 2 | 1 | 1123 | Gear 53:1 • Details | | |
| 3 | 1 | 1124 | Wedge 8 x 22 | | |
| 4 | 1 | 1125 | Transducer for auto-stop | | |
| 5 | 1 | 1126 | Guiding block for transducer | | |
| 39 | 1 | 1127 | Drive wheel assembl | K | |
| 39 | 1 | 1128 | Drive wheel assembly | K | |
| 10 | 1 | 1129 | Bolt + washer M8x16 | | |
| 12 | 1 | 1130 | Disc | | |
| 13 | 1 | 1131 | Disc plate stainless | | |
| 14 | 1 | 1132 | Organiser for outside mounting assembly | K | |
| 15 | 1 | | • Roll | | |
| 16 | 1 | | • Bushing | | |
| 17 | 1 | | • Mount | | |
| 18 | 2 | | • Bolt | | M6 x 10 7985A4 |
| 19 | 3 | | • Bolt | | M5 x 6 84A4 |
| 20 | 1 | 1133 | Pressure spring with bushing | K | |
| 21 | 1 | | • Spring | | |
| 22 | 1 | | • Bushing | | |
| 23 | 1 | 1134 | Mounting plate | | |
| 24 | 4 | | Bolt | | M8 x 16 963A4 |
| 27 | 1 | 1137 | Distance tubes | K | |
| 25 | 1 | | Skruv | | M6 x 70 7985A4 |
| 26 | 1 | | Nut | | M6 |
| 28 | 2 | | • Distance tubes | | |
| 29 | 1 | | • Distance tubes | | |
| 30 | 1 | | • Distance tubes | | |
| 31 | 2 | 1138 | Yoke | K | |
| 32 | 1 | 1139 | Pressure roll kit | K | |
| 33 | 1 | | • Bushing | | |
| 34 | 1 | | • Wheel | | |
| 35 | 1 | | Skruv | | M6 x 47 7985A4 |
| 37 | 1 | | Nut | | M6 Nylock |
| 38 | 2 | | Nut | | M6 |

Tillbehör

| | | | |
|----|---|------|-------------------------------------|
| | | 1153 | Relaybox |
| | | 1154 | Relaybox, electronic |
| | | 1151 | Control panel |
| | | 1152 | Control cable, 7 m |
| | | 1100 | Remote control |
| | | 1200 | Cover |
| 40 | 2 | 1155 | Through-hull fitting |
| | | 1121 | Automatic fuse 100 A |
| | | 1141 | Brass wire for sensor |
| | | 1140 | Mounting kit 2 x u-plate with bolts |