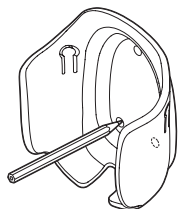


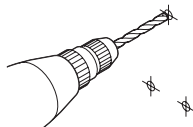
### Fitting remote

#### Cradle at fixed position

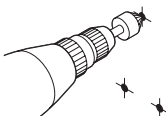
1. Mark holes for the fixing screws.



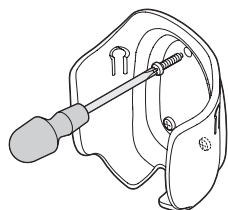
2. Drill three 1/8 inch (3.4 mm) pilot holes for the fixing screws



3. Countersink the pilot holes to prevent damage to the mounting surface.

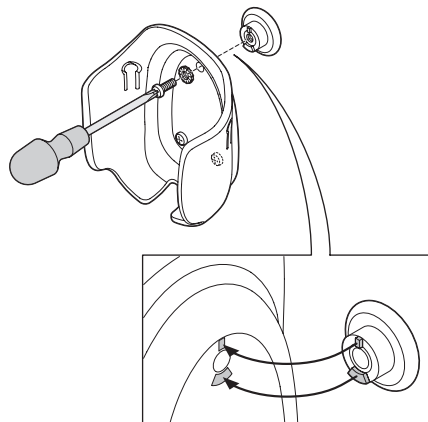


4. Use the three No. 8 screws to secure the cradle to the mounting surface

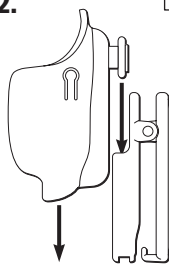


#### Cradle on belt clip

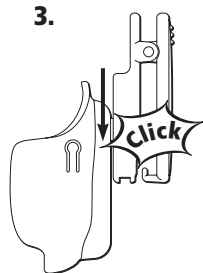
1.



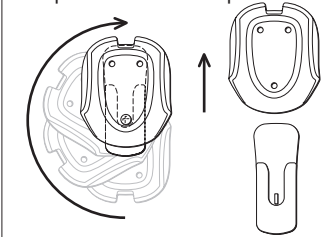
2.



3.



To separate cradle from clip



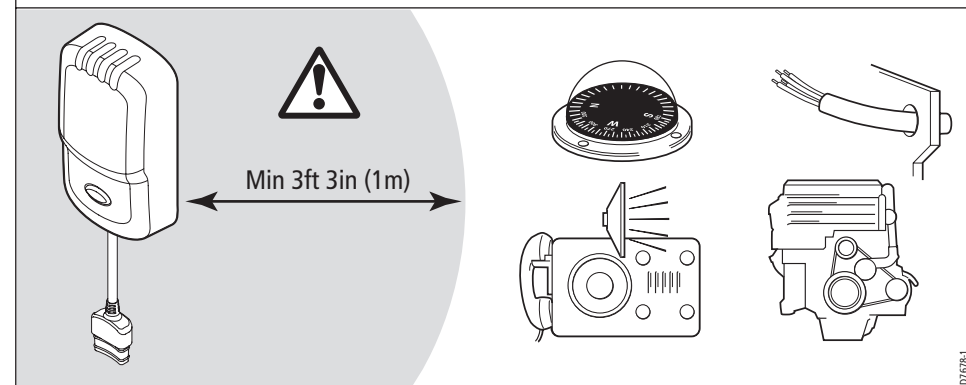
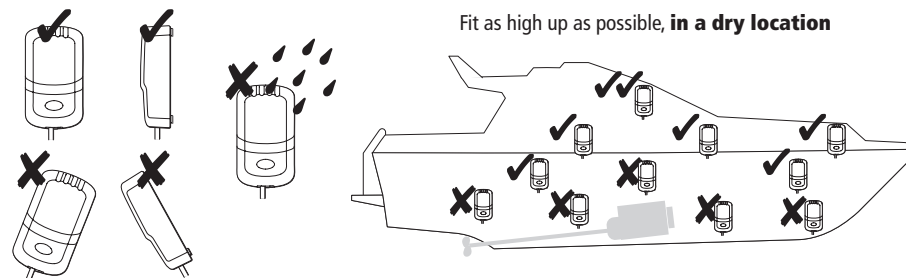
D7675-1

## Base Station & Wireless Controller Installation Guide

Parts supplied		Tools Required
<b>Base Station</b>   	<b>S100 Remote OR Smart Controller</b>   <b>Cradles x2</b>  <b>AAA batteries x2</b>  <b>3 Way Connector Block</b>  <b>Ferrite</b>  <b>SeaTalk Cable</b>  <b>Charging Cable</b> 	 Power Drill   Poizdriv screwdriver   1/8 inch (3.4 mm) drill   7/64 inch (2.7 mm) drill

D7682-1

### Locating Base Station



D7678-1

## Raymarine

Raymarine UK Ltd, Portsmouth, Hampshire, UK PO6 3TD  
 Raymarine Inc. Nashua, NH 03063-4219, USA

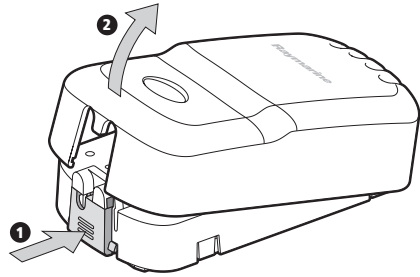
Document number: 87042-2

+44 (0) 23 9269 3611  
 Toll Free: 800-539-5539  
 +1 603-881-5200

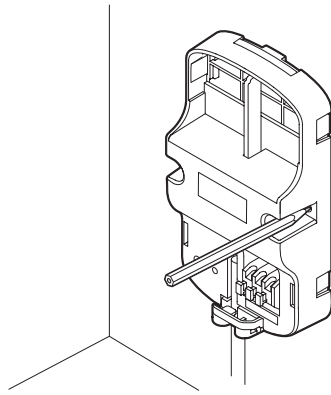
Date: February 2005

### Fitting Base Station

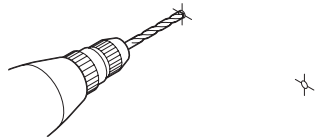
1. Remove cover



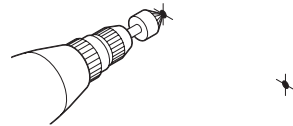
2. Mark holes for the fixing screws.



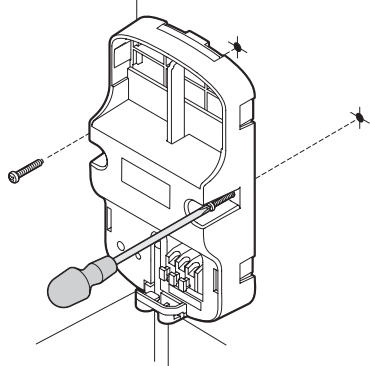
3. Drill two 7/64 inch (2.7 mm) pilot holes for the fixing screws



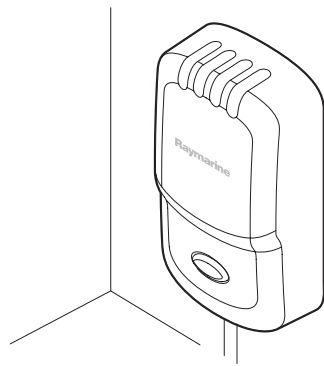
4. Countersink the pilot holes to prevent damage to the mounting surface



5. Use the two No. 6 screws to secure the Base Station to the mounting surface



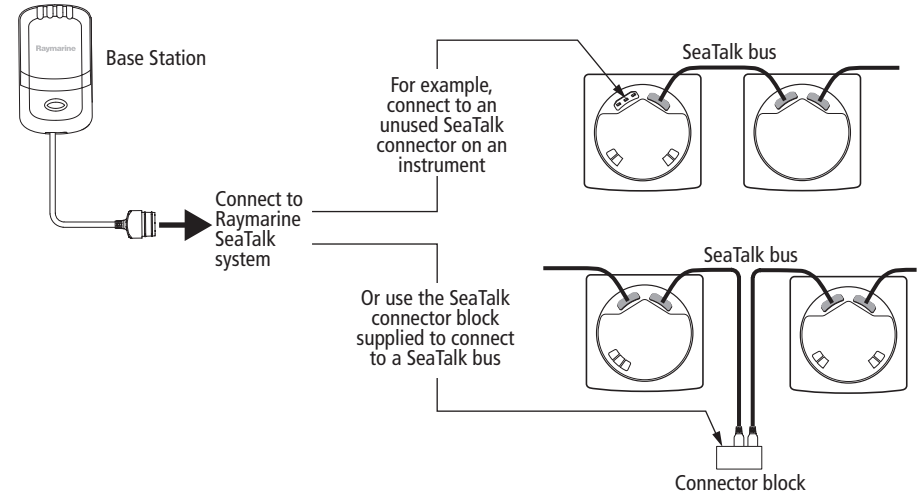
6. Replace cover



D716/6-1

### Connecting Base Station

**Important:** Before connecting the Base Station, ensure that the 12 V supply on the associated SeaTalk system is protected by a 5 A fuse.



**Note:** If necessary, you can remove the SeaTalk connector from the Base Station cable, to make direct connections to SeaTalk, e.g. at a Raymarine course computer.

**SeaTalk color coding:**

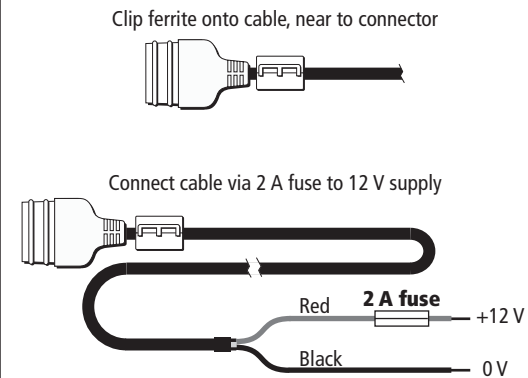
Yellow : SeaTalk data

Red : +12 V

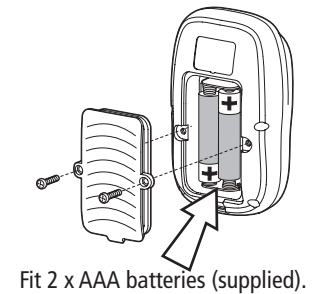
Screen: 0 V

D7181-2

### Connecting Smart Controller charging cable



### Fitting batteries to S100 Remote



Fit 2 x AAA batteries (supplied).

When replacing, use only high-quality alkaline, AAA size batteries.

D7504-1